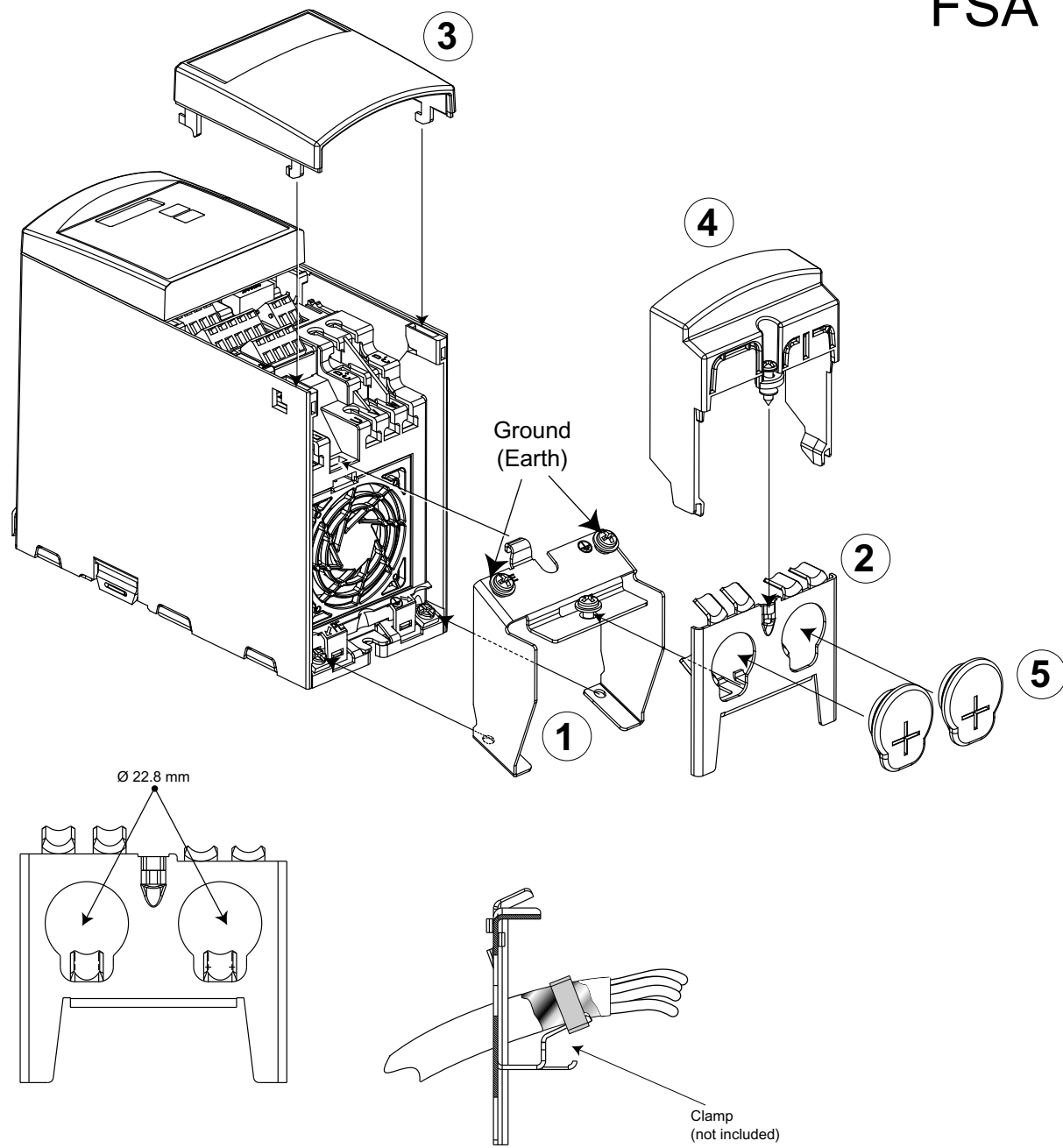


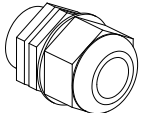
## Gland Plate Installation Instructions

### FSA



#### CAUTION

1. Bonding between conduit connections is not automatic and must be provided as a part of the installation.
2. The Earth bonding conductor must be equal or greater in cross-section to the power supply cable.
3. **GROUNDING (EARTH) must** be made at points shown in illustration above.

	Metric	NPT	PG
Ø 18.8 mm	M16x1.5	3/8 Inch	11
Ø 22.8 mm	M25x1.5	1/2 Inch - 16	16
Ø 28.0 mm	M25x1.5	3/4 Inch	16



#### Wire Size and Terminal Torques - Field Wiring Connectors

Frame Size	A	B	C
Tightening Torque (Nm)	1.1	1.5	2.25
Tightening Torque (lbf.in)	10	13.3	20
Recommended Minimum Cable Cross Section (mm <sup>2</sup> )	1	1.5	2.5
Maximum Cable Cross Section (mm <sup>2</sup> )	2.5	6	10
Recommended Minimum Cable Cross Section (AWG)	17 AWG	16 AWG	14 AWG
Maximum Cable Cross Section (AWG)	14 AWG	10 AWG	8 AWG

### FSB & FSC

