

TWIST LEVER FOR POSITION SWITCH 3SE51 METAL LEVER, FORM A 27MM LONG,STEP 9MM, W. PLASTIC ROLLER 19MM



Figure similar

Product designation	actuator for part-turn actuator
Manufacturer's article number	
<ul style="list-style-type: none"> of the supplied operating lever 	3SE5000-0AA01
General technical data	
Product function	
<ul style="list-style-type: none"> positive opening 	Yes
Shock resistance	
<ul style="list-style-type: none"> acc. to IEC 60068-2-27 	30 g / 11 ms
Vibration resistance	
<ul style="list-style-type: none"> acc. to IEC 60068-2-6 	0.35 mm/5g
Mechanical service life (switching cycles)	
<ul style="list-style-type: none"> typical 	15 000 000
Equipment marking	
<ul style="list-style-type: none"> acc. to DIN EN 61346-2 	T
<ul style="list-style-type: none"> acc. to DIN EN 81346-2 	T
Active principle	mechanical
Enclosure	

Coating of the enclosure	Other types
--------------------------	-------------

Drive Head

Design of the operating mechanism	Twist lever, metal lever, 27 mm long, step 9 mm, plastic roller 19 mm
Standard-compliant actuator head	EN 50041, design A
Shape of the switch head	roller
Outer diameter of the switch head	19 mm

Communication/ Protocol

Design of the interface	without
-------------------------	---------

Ambient conditions

Ambient temperature	
<ul style="list-style-type: none"> during operation during storage 	<p>-25 ... +85 °C</p> <p>-40 ... +90 °C</p>

Installation/ mounting/ dimensions

Mounting position	any
Mounting type	screw fixing

Certificates/approvals

General Product Approval	Declaration of Conformity	Test Certificates	other
 CSA	 UR	 EAC	 EG-Konf.
		Special Test Certificate	Confirmation

Further information

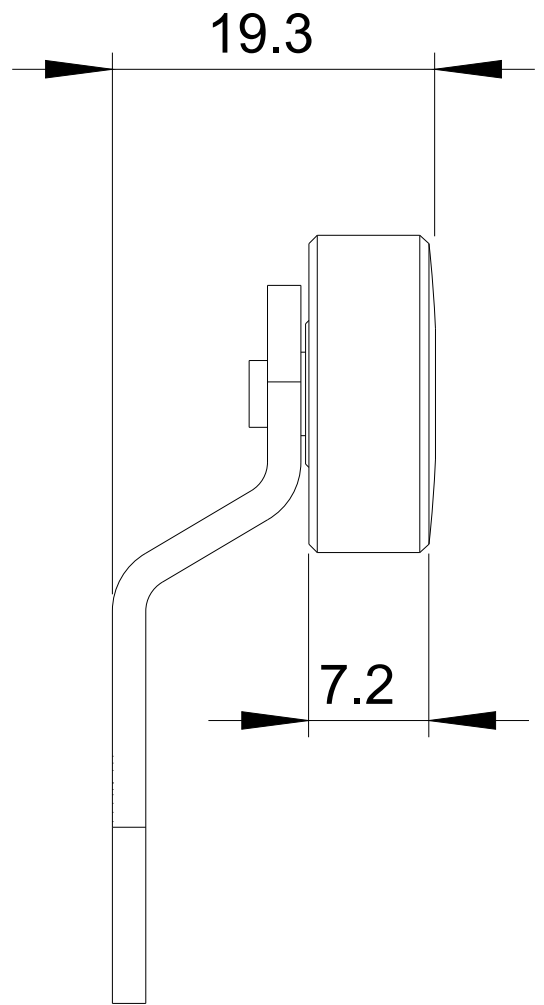
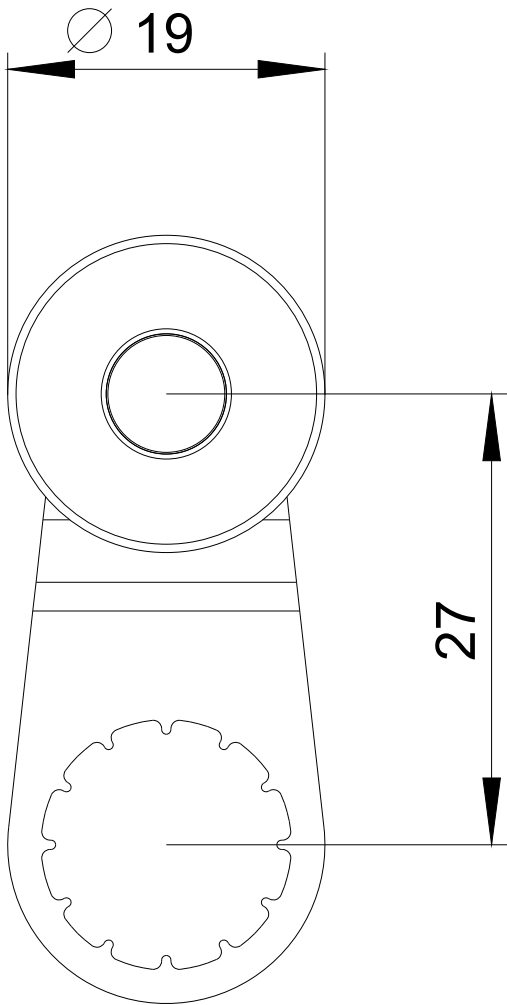
Information- and Downloadcenter (Catalogs, Brochures,...)
<http://www.siemens.com/industrial-controls/catalogs>

Industry Mall (Online ordering system)
<https://mall.industry.siemens.com/mall/en/en/Catalog/product?mlfb=3SE5000-0AA01>

Cax online generator
<http://support.automation.siemens.com/WW/CAXorder/default.aspx?lang=en&mlfb=3SE5000-0AA01>

Service&Support (Manuals, Certificates, Characteristics, FAQs,...)
<https://support.industry.siemens.com/cs/ww/en/ps/3SE5000-0AA01>

Image database (product images, 2D dimension drawings, 3D models, device circuit diagrams, EPLAN macros, ...)
http://www.automation.siemens.com/bilddb/cax_de.aspx?mlfb=3SE5000-0AA01&lang=en



last modified:

07/25/2017