

# SIEMENS

## Product data sheet

**6FC9320-5DE02**


Abb. ähnlich

SINUMERIK ACCESSORIES ELECTRONIC  
HANDWHEEL IN HOUSING WITH SPIRAL CABLE  
2,5M WITH CONNECTOR 9-POLE UB = 5 V;  
RS 422

operating voltage	
• at DC encoder	5 ... 5 V
operating voltage / at DC encoder / tolerance +- • minus	5 %
• plus	5 %
power consumption / max.	0.3 W
Current consumption / without load max.	60 mA
relative humidity	
• operation	5 ... 80% at 25 °C
ambient temperature	
• when stored	-40 ... +85 °C
• when transported	-40 ... +85 °C
ambient temperature	
• during operation	0 ... 70 °C
scanning frequency / max.	2 kHz

cable length / to sequence electronics / max.	20 m
dimension	
• width	90 mm
• height	67 mm
• depth	70 mm
Length	175 mm
• of the housing	160 mm
weight / approx.	1.3 kg

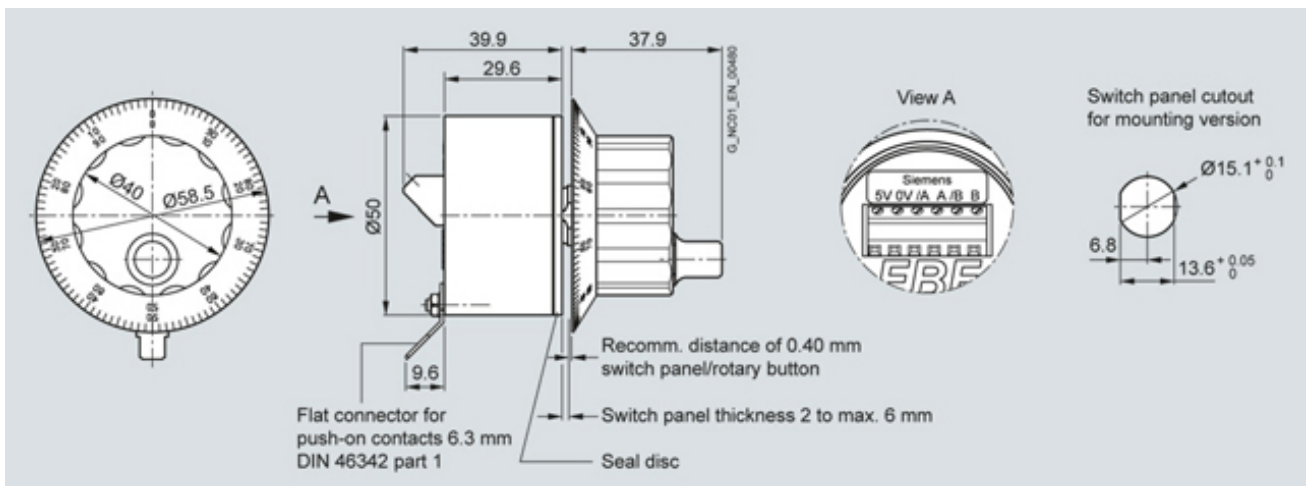
#### Weitere Informationen

[Informations- und Downloadcenter der Industrie Automation und Antriebstechnik](#)

[Technische Dokumentation \(Motion Control\)](#)

[Industry Mall \(Online-Bestellsystem\)](#)

[Service & Support \(FAQs, Handbücher, Betriebsanleitungen, Zertifikate, Kennlinien, ...\)](#)



letzte Änderung:

Mar 3, 2014