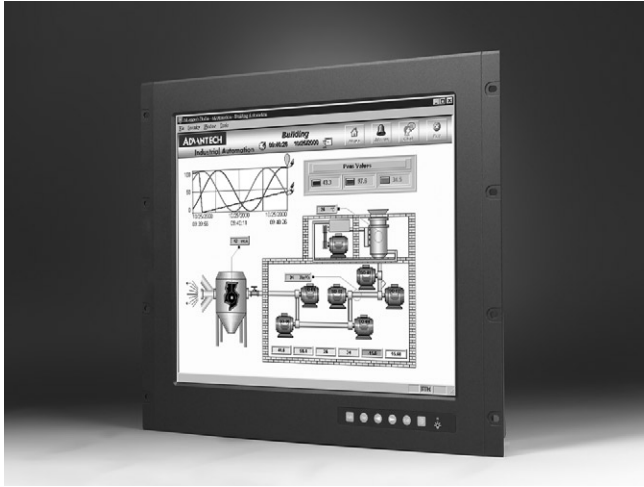


FPM-3190G

FPM-3191G

19" SXGA Industrial Monitor with Resistive Touchscreen, Direct-VGA, DVI, Video and S-Video Ports

19" SXGA Industrial Monitor with Resistive Touchscreen and Direct-VGA Port



Features

- 19" SXGA TFT LCD with resolution up to 1280 x 1024
- Robust design with stainless steel chassis and aluminum front panel
- Anti-reflective screen with tempered glass
- Supports stainless steel front panel (customization)
- OSD control pad on front panel
- Supports industrial 24-48 V_{DC} power input (optional)
- Supports transreflective LCD technology (customization)
- Supports Panel, Wall, Desktop, Rack or VESA arm mounting
- Front panel NEMA4/IP65 Compliant

Introduction

FPM-3190G is a 19" color TFT LCD flat panel monitor specifically designed for industrial applications. With a viewing size as large as 19", it presents an ample display area as well as vivid and sharp images for your HMI. It features Direct-VGA signal transmission and the onscreen display function makes it easy to adjust the images on the screen. The stainless steel chassis and the NEMA4/IP65 compliant aluminum front panel enable installation in applications with water and dust. An optional stainless steel front panel is available by request.

Specifications

General

- **Button Controls** OSD (Onscreen Display) control pad on front panel
- **Certification** BSMI, CCC, CE, FCC
- **Dimension (W x H x D)** 482 x 399 x 66 mm (18.9" x 15.7" x 2.6")
- **Enclosure** Front panel: Aluminum with coating, Rear cover: Stainless steel chassis
- **Mounting** Panel, wall, desktop, VESA arm & 19" rackmount
- **Power Input** External 60 W power adapter, with AC 100 V ~ 240 V input and DC +12 V @ 5 A output
- **Video Port** VGA, DVI-D, S-Video, Video
- **Weight (Net)** 10.65 kg (23.46 lbs)

LCD Display

- **Display Type** SXGA TFT LCD (AUO)
- **Display Size** 19"
- **Max. Resolution** 1280 x 1024
- **Max. Color** 16.2 M
- **Viewing Angle (H, V)°** 178, 178
- **Luminance (cd/m²)** 300
- **Backlight Life (hrs)** 50,000
- **Contrast Ratio** 1000 : 1

Touchscreen (Optional)

- **Sensor** ELO
- **Type** 5-wire Resistive
- **Interface** RS-232 or USB
- **Lifespan** 35 million touches at a single point
- **Light Transmission** 80% ±5
- **OS Support** DOS, Windows® 95/98/ME/2000/XP/NT
- **Power Consumption** +5 V @ 100 mA
- **Touch Resolution** Linearity

Environment

- **Operation Temperature** 0 ~ 50° C (32 ~ 122° F)
- **Storage Temperature** -20 ~ 60° C (-4 ~ 140° F)
- **Humidity (Storage)** 10 ~ 95% non-condensing
- **Waterproof** Front Panel NEMA4/IP65 Compliant
- **Vibration** 5 ~ 500 Hz, 1 Grms (Operating, Random)

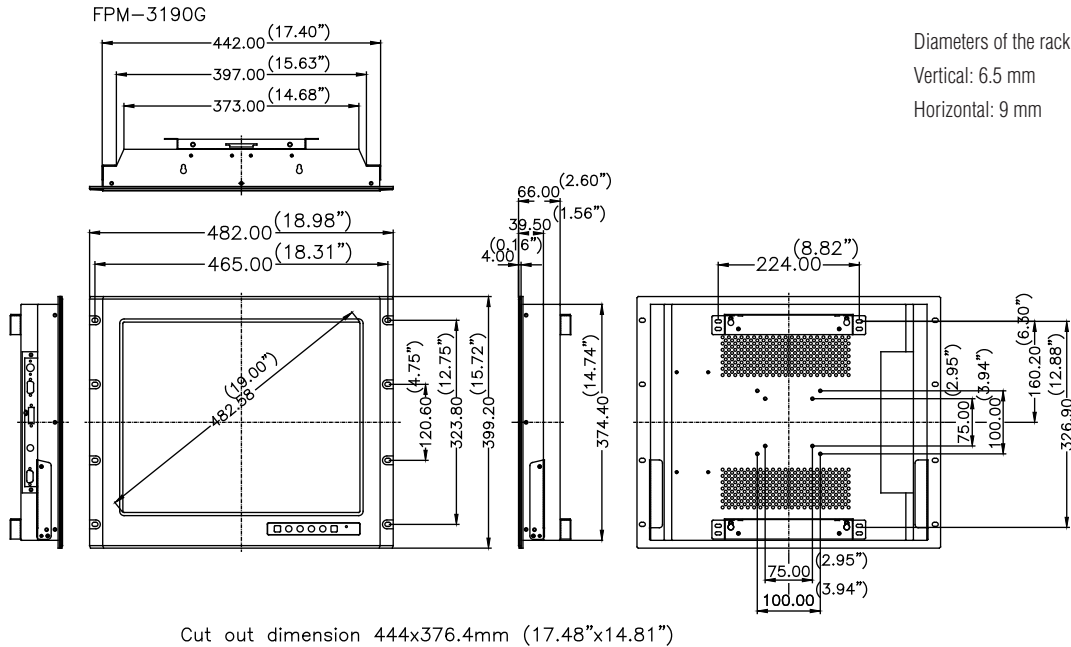
Ordering Information

- **FPM-3190G-XBE** 19" Industrial Monitor with D-VGA, DVI-D, S-V, Video ports
- **FPM-3190G-RBE** FPM-3190G-XBE w/Resistive TS (RS-232 interface)
- **FPM-3190G-UBE** FPM-3190G-XBE w/Resistive TS (USB Interface)
- **FPM-3191G-XBE** Ind. 19" Industrial Monitor with Direct VGA port
- **FPM-3191G-RBE** FPM-3191G-XBE w/Resistive TS (RS-232 interface)
- **FPM-3191G-UBE** FPM-3191G-XBE w/Resistive TS (USB Interface)
- **PWR-246E** Ind. DC to DC Converter w/24-48V_{DC} Power Input

1	TPC
2	IPPC
3	FPM
4	UNO
5	Ethernet Switch
6	Device Server
7	Serial COM
8	DAQ
9	CompactPCI
10	Signal Conditioning
11	USB DAQ
12	Motion Control I/O
13	PAC & Software
14	RS-485 I/O
15	Ethernet I/O
16	BAS

Dimensions

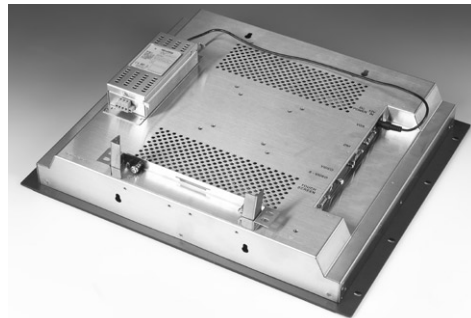
Unit: mm



Accessories

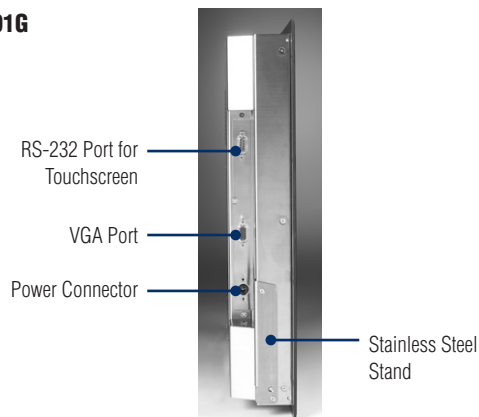
- 1702002600 Power Cable US Plug 1.8 M
- 1702002605 Power Cable EU Plug 1.8 M
- 1702031801 Power Cable UK Plug 1.8 M
- 1702031836 Power Cable China/Australia Plug 1.8 M

Mounting with DC Source



Side View

FPM-3191G



I/O View

FPM-3190G

