

ACTUATOR HEAD FOR POSITION SWITCH 3SE51/52 ROLLER
PLUNGER W. PLASTIC ROLLER 10MM



Product designation	actuator head for position switch
Manufacturer's article number	3SE5000-0AD03
<ul style="list-style-type: none"> of the supplied actuator head for position switches 	
General technical data	
Product function	Yes
<ul style="list-style-type: none"> positive opening 	
Shock resistance	30 g / 11 ms
<ul style="list-style-type: none"> acc. to IEC 60068-2-27 	
Vibration resistance	0.35 mm/5g
<ul style="list-style-type: none"> acc. to IEC 60068-2-6 	
Mechanical service life (switching cycles)	15 000 000
<ul style="list-style-type: none"> typical 	
Equipment marking	T
<ul style="list-style-type: none"> acc. to DIN EN 61346-2 acc. to DIN EN 81346-2 	T
Active principle	mechanical
Minimum actuating force in activation direction	20 N

Enclosure

Coating of the enclosure	Other types
--------------------------	-------------

Drive Head

Design of the operating mechanism	Roller plunger, plastic roller
Standard-compliant actuator head	EN 50047, design C
Shape of the switch head	roller
Outer diameter of the switch head	10 mm

Communication/ Protocol

Design of the interface	without
-------------------------	---------





Ambient conditions

Ambient temperature	
• during operation	-25 ... +85 °C
• during storage	-40 ... +90 °C

Installation/ mounting/ dimensions

Mounting position	any
Mounting type	lockable plug-in fixing

Certificates/approvals

General Product Approval	Declaration of Conformity	Test Certificates	other		
 CSA	 UR		 EG-Konf.	Special Test Certificate	Confirmation

Further information

Information- and Downloadcenter (Catalogs, Brochures,...)

<http://www.siemens.com/industrial-controls/catalogs>

Industry Mall (Online ordering system)

<https://mall.industry.siemens.com/mall/en/en/Catalog/product?mlfb=3SE5000-0AD03>

Cax online generator

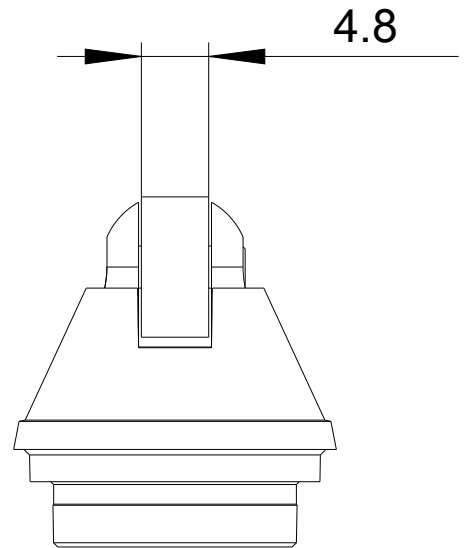
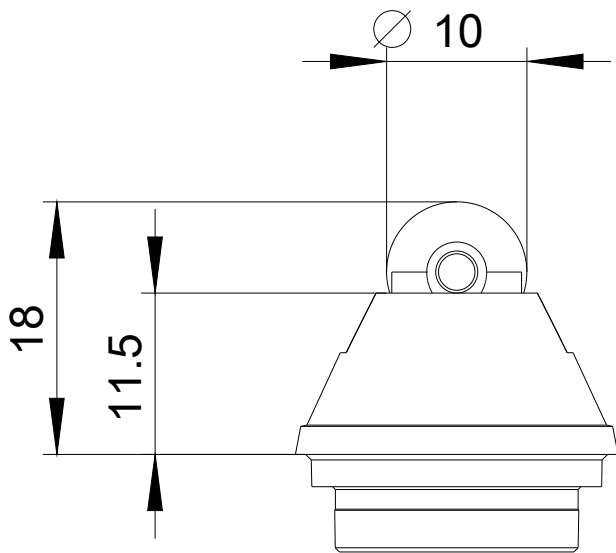
<http://support.automation.siemens.com/WW/CAXorder/default.aspx?lang=en&mlfb=3SE5000-0AD03>

Service&Support (Manuals, Certificates, Characteristics, FAQs,...)

<https://support.industry.siemens.com/cs/ww/en/ps/3SE5000-0AD03>

Image database (product images, 2D dimension drawings, 3D models, device circuit diagrams, EPLAN macros, ...)

http://www.automation.siemens.com/bilddb/cax_de.aspx?mlfb=3SE5000-0AD03&lang=en



last modified:

07/01/2017