

CIRCUIT-BREAKER N-RELEASE 208 A, SIZE S0, STARTER PROTECTION, 50 KA SCREW CONNECTION STANDARD BREAKING CAPACITY



Figure similar

| | |
|-----------------------|--------------------------|
| Product brand name | SIRIUS |
| Product designation | circuit breaker |
| Design of the product | for starter combinations |

General technical data

| | |
|--|---------|
| Product extension | |
| <ul style="list-style-type: none"> Auxiliary switch | Yes |
| Power loss [W] total typical | 7 W |
| Surge voltage resistance rated value | 6 000 V |
| Protection class IP | |
| <ul style="list-style-type: none"> on the front | IP20 |
| Mechanical service life (switching cycles) | |
| <ul style="list-style-type: none"> of the main contacts typical | 100 000 |
| Continuous current rated value | 16 A |

Ambient conditions

| | |
|--|----------------|
| Ambient temperature | |
| <ul style="list-style-type: none"> during operation | -20 ... +60 °C |
| <ul style="list-style-type: none"> during storage | -50 ... +80 °C |

- during transport

-50 ... +80 °C

Main circuit

| | |
|---|--------|
| Number of poles for main current circuit | 3 |
| Operating voltage | |
| • rated value | 690 V |
| • at AC-3 rated value maximum | 690 V |
| Operating current | |
| • at AC-3 | |
| — at 400 V rated value | 16 A |
| Operating power | |
| • at AC-3 | |
| — at 400 V rated value | 7.5 kW |
| Operating frequency | |
| • at AC-3 maximum | 15 1/h |

Auxiliary circuit

| | |
|------------------------------|---|
| Number of CO contacts | |
| • for auxiliary contacts | 0 |

Protective and monitoring functions

| | |
|--|--------|
| Product function | |
| • Ground fault detection | No |
| • Phase failure detection | No |
| Maximum short-circuit current breaking capacity (Icu) | |
| • at AC at 240 V rated value | 100 kA |
| • at AC at 400 V rated value | 50 kA |
| • at AC at 500 V rated value | 10 kA |
| • at AC at 690 V rated value | 4 kA |

Short-circuit protection

| | |
|--|----------|
| Design of the overcurrent release and short-circuit release | magnetic |
|--|----------|

Installation/ mounting/ dimensions

| | |
|------------------------------|--|
| Mounting position | any |
| Mounting type | screw and snap-on mounting onto 35 mm standard mounting rail according to DIN EN 50022 |
| Height | 97 mm |
| Width | 45 mm |
| Depth | 96 mm |
| Required spacing | |
| • with side-by-side mounting | |
| — Backwards | 0 mm |
| — at the side | 0 mm |

Connections/Terminals

| | |
|---|--|
| Product function <ul style="list-style-type: none"> removable terminal for auxiliary and control circuit | No |
| Type of electrical connection <ul style="list-style-type: none"> for main current circuit for auxiliary and control current circuit | screw-type terminals screw-type terminals |
| Arrangement of electrical connectors for main current circuit | front side |
| Type of connectable conductor cross-sections <ul style="list-style-type: none"> for main contacts <ul style="list-style-type: none"> — solid — stranded — finely stranded with core end processing at AWG conductors for main contacts | 2x (1 ... 2.5 mm ²), 2x (2.5 ... 6 mm ²) 2x (1 ... 2.5 mm ²), 2x (2.5 ... 6 mm ²) 2x (1 ... 2.5 mm ²), 2x (2.5 ... 6 mm ²) 2x (14 ... 10) |

Certificates/approvals

| General Product Approval | Declaration of Conformity | Test Certificates |
|--------------------------|---------------------------|-------------------|
|--------------------------|---------------------------|-------------------|



[Special Test Certificate](#)

| Marine / Shipping | other |
|-------------------|-------|
|-------------------|-------|



[Confirmation](#)

| other |
|-------|
|-------|

[Environmental Confirmations](#)

[Miscellaneous](#)



Further information

Information- and Downloadcenter (Catalogs, Brochures,...)

<http://www.siemens.com/industrial-controls/catalogs>

Industry Mall (Online ordering system)

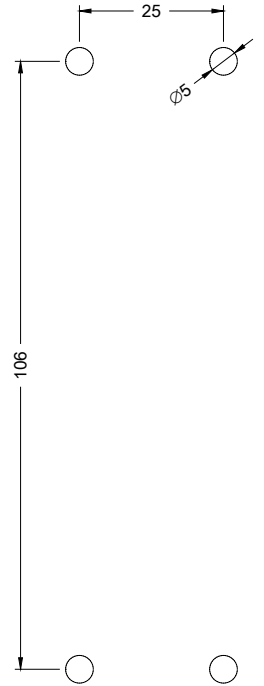
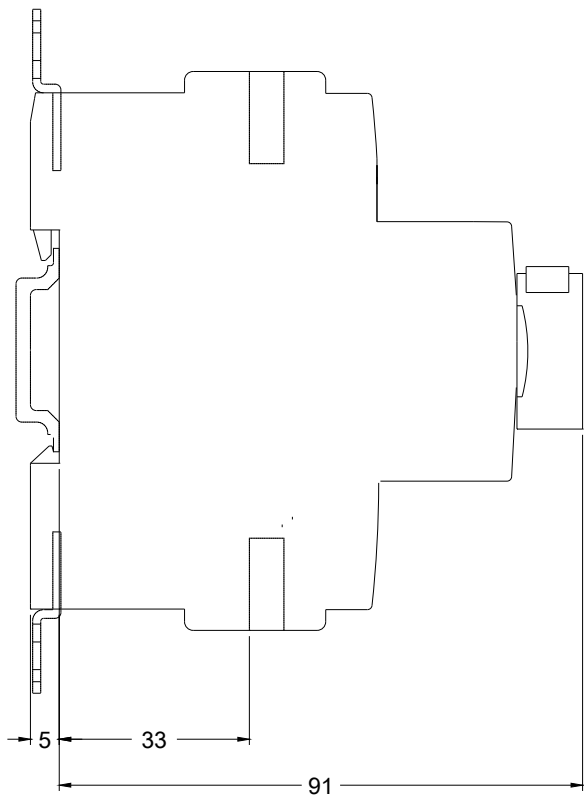
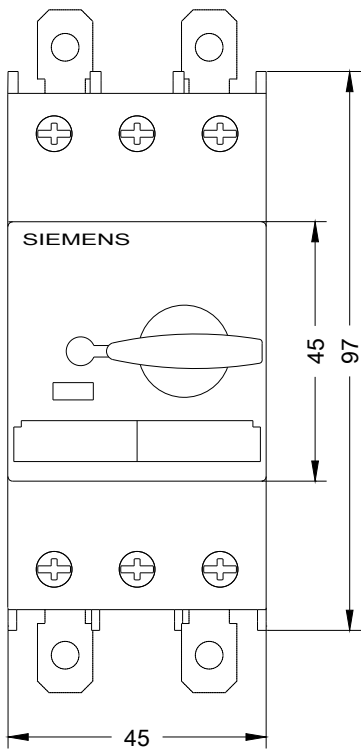
<https://mall.industry.siemens.com/mall/en/en/Catalog/product?mlfb=3RV1321-4AC10>

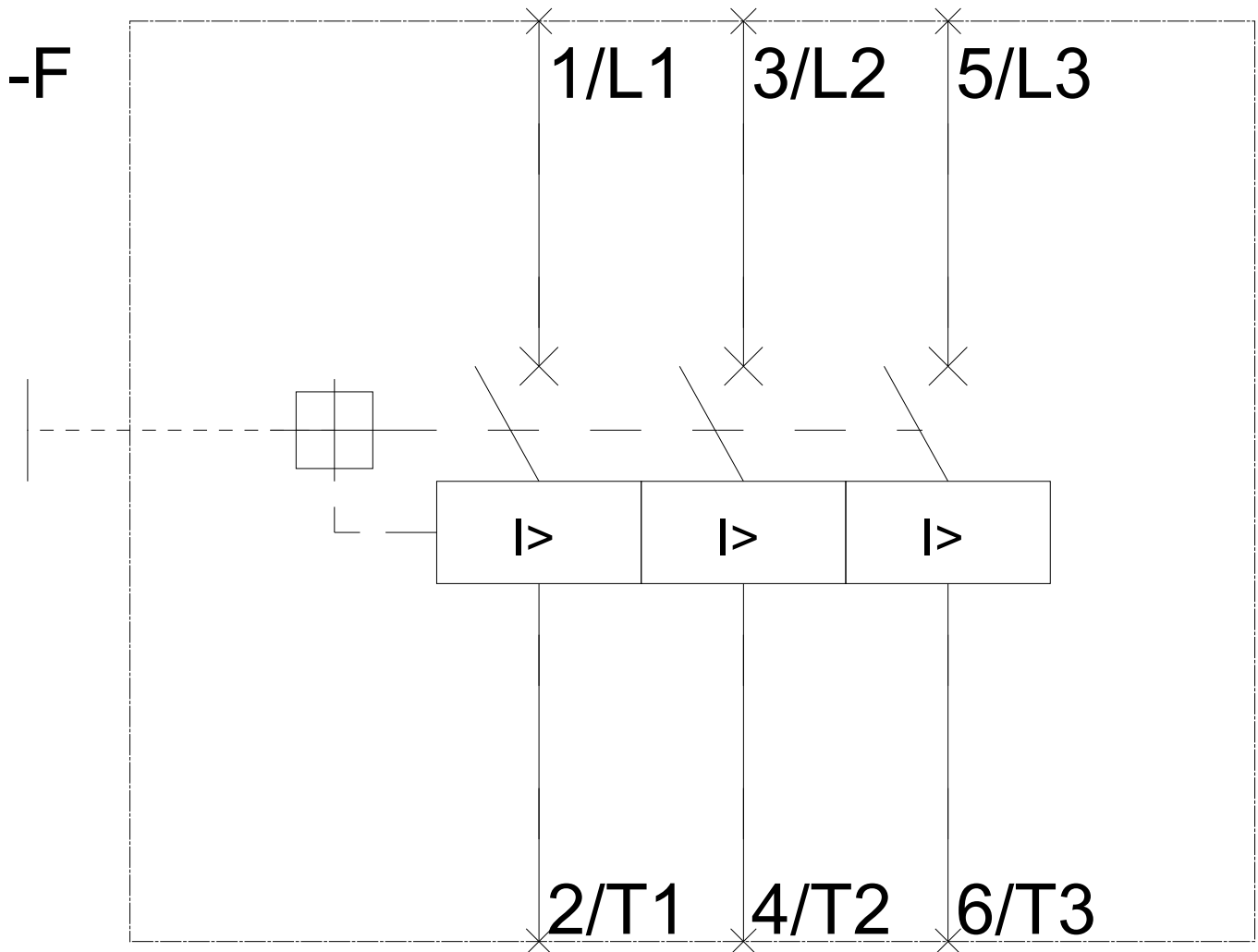
Cax online generator

<http://support.automation.siemens.com/WW/CAXorder/default.aspx?lang=en&mlfb=3RV1321-4AC10>

Service&Support (Manuals, Certificates, Characteristics, FAQs,...)

<https://support.industry.siemens.com/cs/ww/en/ps/3RV1321-4AC10>





last modified:

08/10/2017