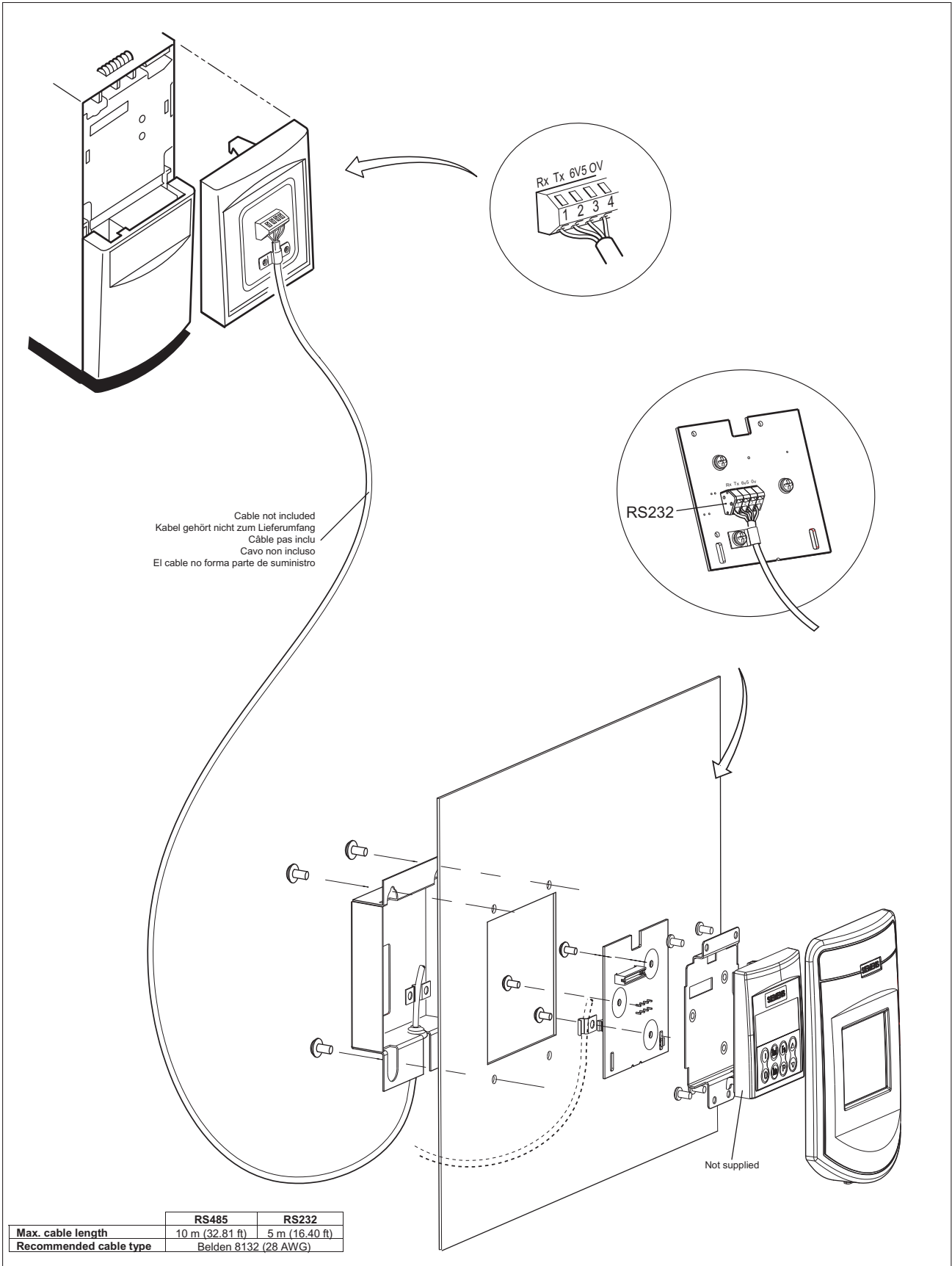
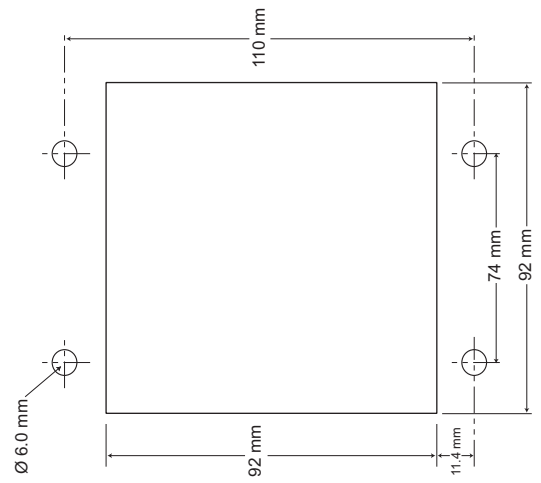
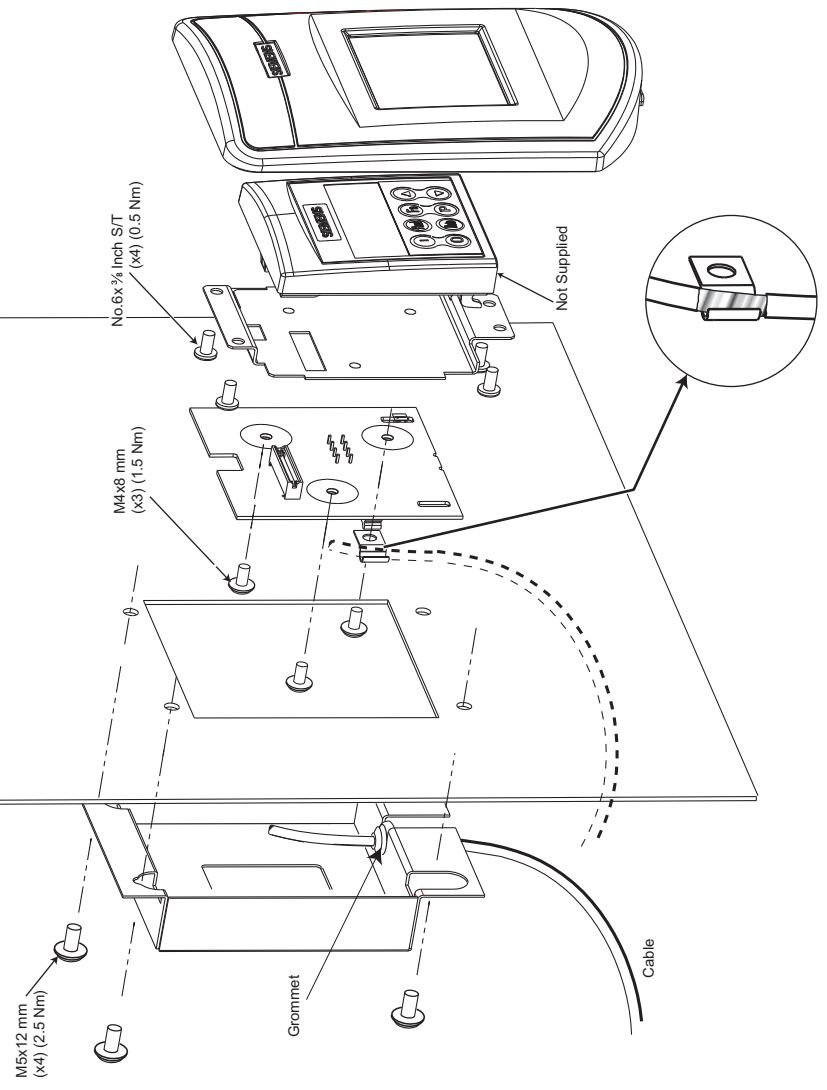
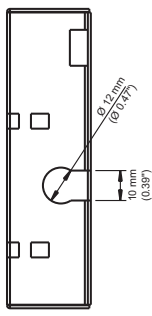
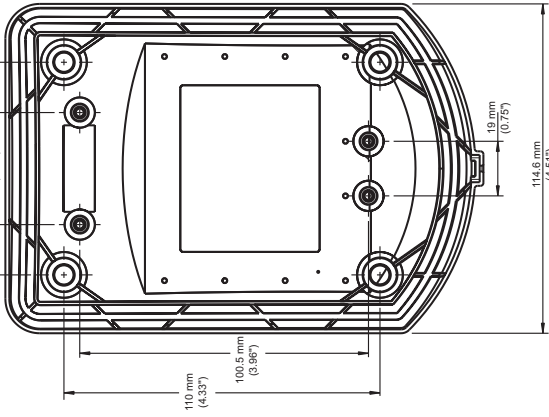
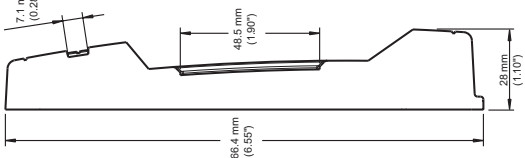
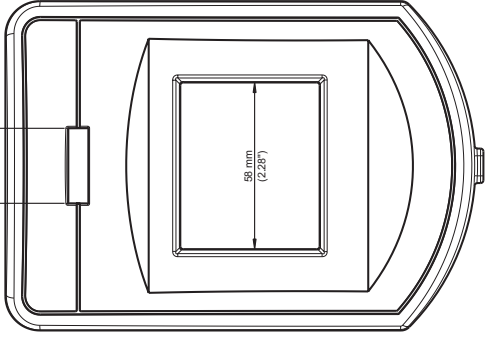
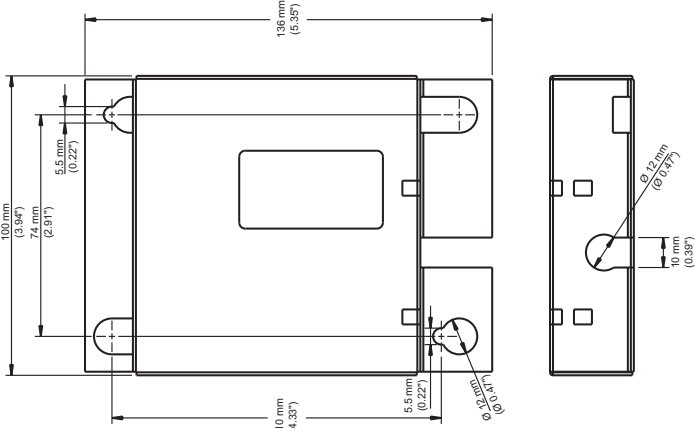


BOP/AOP Single Drive Mounting Kit



SIEMENS

Note:
UL MM4 Listed accessory for mounting to Type 1 and Type 12 enclosures.



Kit Contains:

- 1 x Instruction sheet
- 1 x CAB interface assembly
- 1 x Standard Panel Mount PCB
- 1 x IP Front mould assembly
- 1 x PCB carrier
- 1 x Back cover
- 4 x M4x12 pan. pos. screws
- 4 x No.6x³/₈" pan. pos. screws
- 3 x M4x8 pan. pos. screws
- 1 x Cable grommet
- 1 x Steel 'P' clip half clamp
- 3 x Cable ties
- 1 x Flat Strap (metal)