

TWO-TIER TERMINAL THERMOPLASTIC SCREW TERMINAL ON BOTH ENDS 2POLE, BEIGE, 6.5MM, SZ 4 2 SEPARATE CONNECTIONS

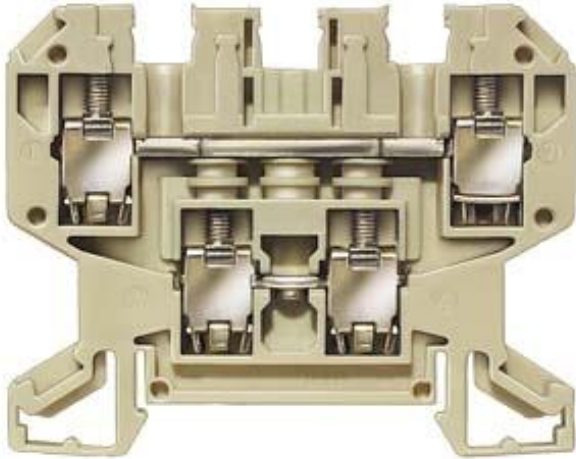


Figure similar

| | |
|------------------------------------|---------------|
| Model | |
| Product brand name | ALPHA |
| General technical data | |
| Insulation material | thermoplastic |
| Terminal contact spacing | 6.5 mm |
| Protection class | |
| Combustibility class acc. to UL 94 | V2 |
| Main circuit | |
| Operating voltage / rated value | 690 V |
| Operating current / rated value | 32 A |
| Appearance | |
| Color / of the insulating body | beige |
| Product details | |
| Product feature | No |
| • N function | |

| | |
|---|----|
| <ul style="list-style-type: none"> • N separation slides | No |
| <ul style="list-style-type: none"> • PE function | No |
| Product component | |
| <ul style="list-style-type: none"> • required / connection plate | No |
| <ul style="list-style-type: none"> • Test separator | No |

Number

| | |
|-----------------------------|---|
| Number of potentials | 2 |
|-----------------------------|---|

Connections

| | |
|---|-------------------|
| Connectable conductor cross-section / stranded | |
| <ul style="list-style-type: none"> • minimum | 4 mm ² |
| <ul style="list-style-type: none"> • maximum | 4 mm ² |

| | |
|------------------------------|-------|
| Wire stripping length | 11 mm |
|------------------------------|-------|

| | |
|--|--|
| Connectable conductor cross-section | |
| <ul style="list-style-type: none"> • solid <ul style="list-style-type: none"> — minimum — maximum • finely stranded <ul style="list-style-type: none"> — with core end processing / minimum — with core end processing / maximum — without core end processing / minimum — without core end processing / maximum | 4 mm ² 4 mm ² 4 mm ² 4 mm ² 4 mm ² 4 mm ² |

| | |
|---|---------|
| Tightening torque / with screw-type terminals | |
| <ul style="list-style-type: none"> • minimum | 0.5 N·m |
| <ul style="list-style-type: none"> • maximum | 0.5 N·m |

| | |
|--|--|
| Type of electrical connection | |
| <ul style="list-style-type: none"> • 1 • 2 | screw-type terminal screw-type terminal |

| | |
|-----------------------------------|---------|
| Position / of the terminal | lateral |
|-----------------------------------|---------|

Mechanical Design

| | |
|--|-------|
| Height / with lowest-profile installation | 45 mm |
|--|-------|





| | |
|---------------|-------|
| Length | 64 mm |
|---------------|-------|

| | |
|----------------------|----------------|
| Mounting type | DIN rail 35 mm |
|----------------------|----------------|

| | |
|--|---------------|
| Material / of the insulating body | Thermoplastic |
|--|---------------|

Environmental conditions

| | |
|--|-------|
| Ambient temperature | |
| <ul style="list-style-type: none"> • during operation / maximum | 55 °C |

| | | | | |
|--|---|---|---|--|
| General Product Approval | | Declaration of Conformity | Test Certificates | Shipping Approval |
|  CSA |  UL |  |  EG-Konf. | Miscellaneous  |

| | |
|-------------------|-------|
| Shipping Approval | other |
|-------------------|-------|



GL

[Environmental Confirmations](#)

Further information

Information- and Downloadcenter (Catalogs, Brochures,...)

<http://www.siemens.com/lowvoltage/catalogs>

Industry Mall (Online ordering system)

<https://mall.industry.siemens.com/mall/en/en/Catalog/product?mlfb=8WA1011-2DG11>

Service&Support (Manuals, Certificates, Characteristics, FAQs,...)

<https://support.industry.siemens.com/cs/ww/en/ps/8WA1011-2DG11>

Image database (product images, 2D dimension drawings, 3D models, device circuit diagrams, ...)

http://www.automation.siemens.com/bilddb/cax_en.aspx?mlfb=8WA1011-2DG11

CAX-Online-Generator

<http://www.siemens.com/cax>

Tender specifications

<http://www.siemens.com/specifications>