

SIRIUS POSITION SWITCH METAL ENCLOSURE 56MM WIDE
 DEVICE CONNECTION 3X (M20X1.5) 1NO/1NC SNAP-ACTION
 CONTACTS ROTARY ACTUATOR RIGHT/LEFT ADJUSTABLE, W.
 LENGTH ADJUSTABLE METAL LEVER 100MM LONG AND
 PLASTIC ROLLER 19MM



Product designation	standard position switch
Manufacturer's article number	
<ul style="list-style-type: none"> • of the supplied basic switch 	3SE5122-0CA00
<ul style="list-style-type: none"> • of the supplied actuator head for position switches 	3SE5000-0AH00
<ul style="list-style-type: none"> • of the supplied operating lever 	3SE5000-0AA50
<ul style="list-style-type: none"> • of the supplied switching contacts 	3SE5000-0CA00
<ul style="list-style-type: none"> • of the supplied empty enclosure with cover 	3SE5122-0AA00

General technical data	
Product function	
<ul style="list-style-type: none"> • positive opening 	No
Insulation voltage	
<ul style="list-style-type: none"> • rated value 	400 V
Degree of pollution	class 3
Surge voltage resistance rated value	6 kV
Protection class IP	IP66/IP67
Shock resistance	
<ul style="list-style-type: none"> • acc. to IEC 60068-2-27 	30 g / 11 ms
Vibration resistance	

<ul style="list-style-type: none"> • acc. to IEC 60068-2-6 	0.35 mm/5g
Mechanical service life (switching cycles)	
<ul style="list-style-type: none"> • typical 	15 000 000
Electrical endurance (switching cycles)	
<ul style="list-style-type: none"> • at AC-15 at 230 V typical 	100 000
Electrical endurance (switching cycles) with contactor 3RH11, 3RT1016, 3RT1017, 3RT1024, 3RT1025, 3RT1026 typical	10 000 000
Electrical operating cycles in one hour with contactor 3RH11, 3RT1016, 3RT1017, 3RT1024, 3RT1025, 3RT1026	6 000
Thermal current	10 A
Equipment marking	
<ul style="list-style-type: none"> • acc. to DIN EN 61346-2 	B
<ul style="list-style-type: none"> • acc. to DIN EN 81346-2 	B
Continuous current of the C characteristic MCB	1 A; for a short-circuit current smaller than 400 A
Continuous current of the quick DIAZED fuse link	10 A; for a short-circuit current smaller than 400 A
Continuous current of the DIAZED fuse link gG	6 A
Active principle	mechanical
Repeat accuracy	0.05 mm
Minimum actuating torque in activation direction	0.25 N·m
Operating current at AC-15	
<ul style="list-style-type: none"> • at 24 V rated value 	6 A
<ul style="list-style-type: none"> • at 125 V rated value 	6 A
<ul style="list-style-type: none"> • at 230 V rated value 	6 A
<ul style="list-style-type: none"> • at 400 V rated value 	4 A
Operating current at DC-13	
<ul style="list-style-type: none"> • at 24 V rated value 	3 A
<ul style="list-style-type: none"> • at 125 V rated value 	0.55 A
<ul style="list-style-type: none"> • at 230 V rated value 	0.27 A
<ul style="list-style-type: none"> • at 400 V rated value 	0.1 A

Enclosure

Design of the housing	block, wide
Material of the enclosure	metal
Coating of the enclosure	cathodic immersion coating
Design of the housing acc. to standard	No

Drive Head

Design of the operating mechanism	Adjustable twist lever, adjustable-length metal lever, plastic roller 19 mm
Standard-compliant actuator head	EN 50041, design A
Shape of the switch head	roller

Connections/Terminals

Type of electrical connection	screw-type terminals
Type of connectable conductor cross-sections	
<ul style="list-style-type: none"> • solid 	1x (0.5 ... 1.5 mm ²), 2x (0.5 ... 0.75 mm ²)
<ul style="list-style-type: none"> • finely stranded with core end processing 	1x (0.5 ... 1.5 mm ²), 2x (0.5 ... 0.75 mm ²)
<ul style="list-style-type: none"> • at AWG conductors solid 	1x (20 ... 16), 2x (20 ... 18)
<ul style="list-style-type: none"> • at AWG conductors stranded 	1x (20 ... 16), 2x (20 ... 18)

Mechanical data

Cable entry type	3 x (M20 x 1.5)
------------------	-----------------

Communication/ Protocol

Design of the interface	without
-------------------------	---------

Ambient conditions

Ambient temperature	
<ul style="list-style-type: none"> • during operation 	-25 ... +85 °C
<ul style="list-style-type: none"> • during storage 	-40 ... +90 °C

Installation/ mounting/ dimensions

Mounting position	any
Mounting type	screw fixing

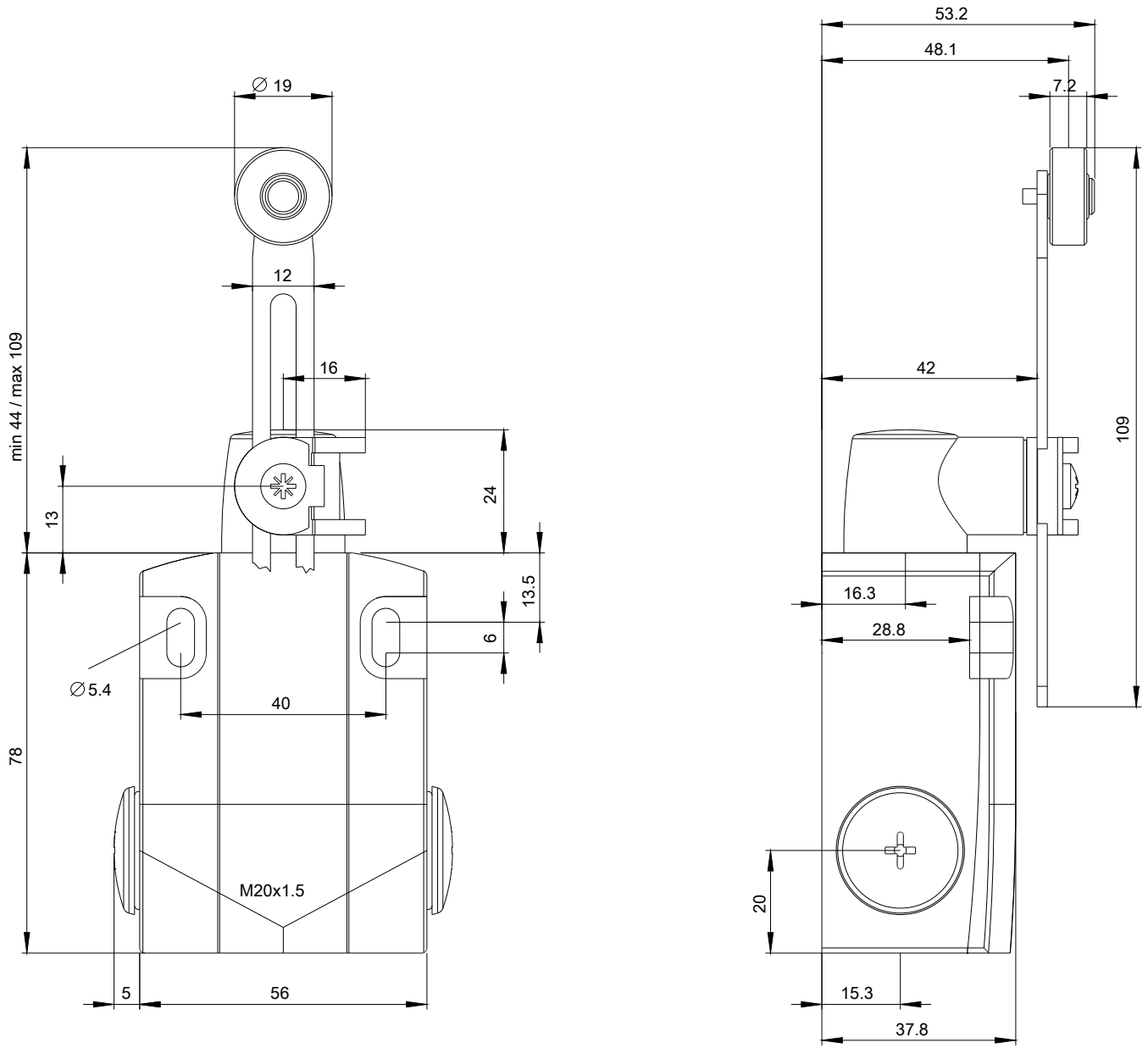
Certificates/approvals

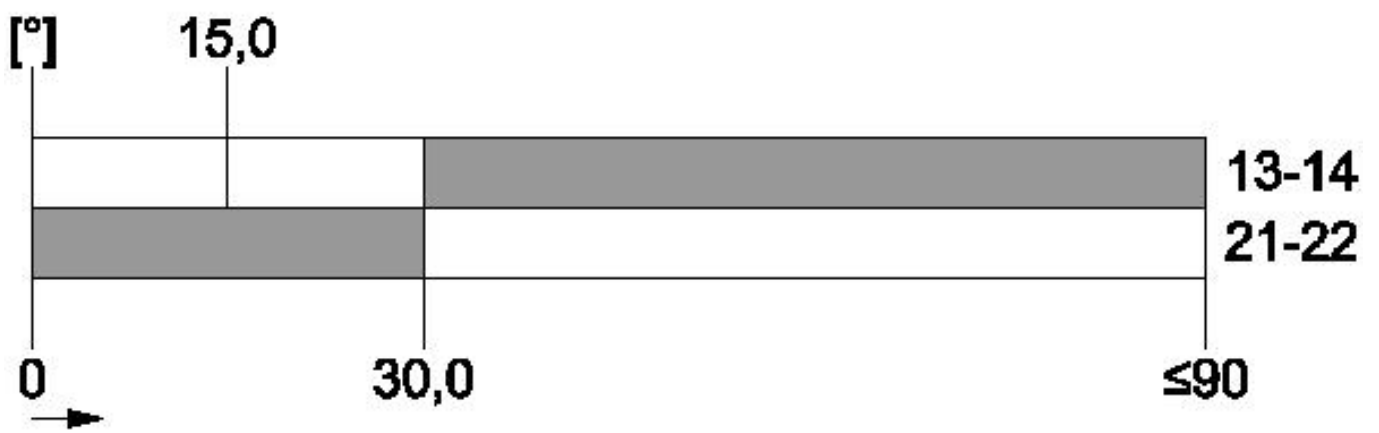
General Product Approval	Functional Safety/Safety of Machinery	Declaration of Conformity
 CCC	 CSA	 UL
		 EG-Konf.
Type Examination Certificate		

Test Certificates	other
Special Test Certificate	Confirmation

Further information

- Information- and Downloadcenter (Catalogs, Brochures,...)**
<http://www.siemens.com/industrial-controls/catalogs>
- Industry Mall (Online ordering system)**
<https://mall.industry.siemens.com/mall/en/en/Catalog/product?mlfb=3SE5122-0CH50>
- Cax online generator**
<http://support.automation.siemens.com/WW/CAXorder/default.aspx?lang=en&mlfb=3SE5122-0CH50>
- Service&Support (Manuals, Certificates, Characteristics, FAQs,...)**
<https://support.industry.siemens.com/cs/ww/en/ps/3SE5122-0CH50>





last modified:

07/20/2017