

POSITION SWITCH WITH TUMBLER MOULDED-PL., 5 DIR. OF APPROACH MAGNETIC FIELD-LOCK WITHOUT AR 2NC/2NC, 24V DC



<b>Product designation</b>	position switch with tumbler
<b>Design of the product</b>	with separate actuator
<b>General technical data</b>	
<b>Protection class IP</b>	IP66
<b>Equipment marking</b>	
<ul style="list-style-type: none"> <li>• acc. to DIN EN 61346-2</li> <li>• acc. to DIN EN 81346-2</li> </ul>	S S
<b>Locking force</b>	1 200 N
<b>Enclosure</b>	
<b>Material of the enclosure</b>	glass fiber reinforced thermoplast
<b>Drive Head</b>	
<b>Design of the operating mechanism</b>	separate actuator
<b>Design of the switching function</b>	positive opening
<b>Number of actuation directions</b>	5
<b>Connections/Terminals</b>	
<b>Type of electrical connection</b>	screw-type terminals
<b>Mechanical data</b>	

Locking mechanism design      magnetic field lock

**Ambient conditions**

**Ambient temperature**  
• during operation      -30 ... +70 °C

**Installation/ mounting/ dimensions**

**Mounting type**      screw fixing

**Certificates/approvals**

General Product Approval	Declaration of Conformity	Shipping Approval
--------------------------	---------------------------	-------------------

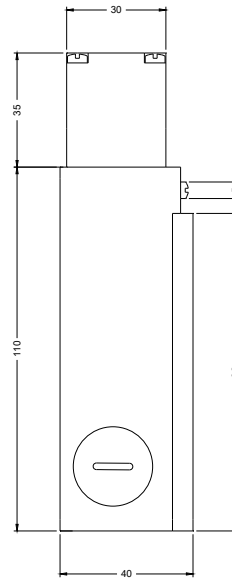
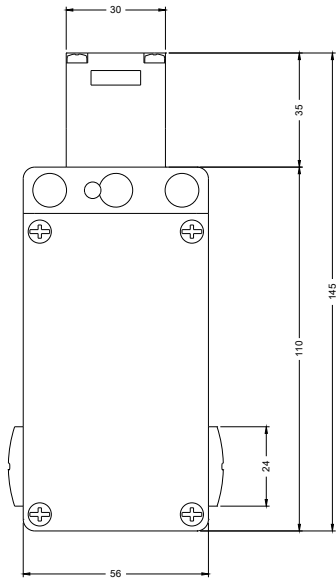


**other**

[Confirmation](#)

**Further information**

- Information- and Downloadcenter (Catalogs, Brochures,...)**  
<http://www.siemens.com/industrial-controls/catalogs>
- Industry Mall (Online ordering system)**  
<https://mall.industry.siemens.com/mall/en/en/Catalog/product?mlfb=3SE3750-6XX00>
- Cax online generator**  
<http://support.automation.siemens.com/WW/CAXorder/default.aspx?lang=en&mlfb=3SE3750-6XX00>
- Service&Support (Manuals, Certificates, Characteristics, FAQs,...)**  
<https://support.industry.siemens.com/cs/ww/en/ps/3SE3750-6XX00>
- Image database (product images, 2D dimension drawings, 3D models, device circuit diagrams, EPLAN macros, ...)**  
[http://www.automation.siemens.com/bilddb/cax\\_de.aspx?mlfb=3SE3750-6XX00&lang=en](http://www.automation.siemens.com/bilddb/cax_de.aspx?mlfb=3SE3750-6XX00&lang=en)



last modified:

07/10/2017