

# SIEMENS

## Product data sheet

**6FC9320-5DH01**


Abb. ähnlich

SINUMERIK ACCESSORIES ELECTRONIC  
 HANDWHEEL FRONT PANEL 76.2 X 76.2 MM  
 OPERATING VOLTAGE: 24 V DC SIGNAL LEVEL:  
 HTL

operating voltage	
• at DC encoder	10 ... 30 V
power consumption / max.	0.36 W
Current consumption / without load max.	60 mA
relative humidity	
• operation	5 ... 80% at 25 °C
ambient temperature	
• when stored	-40 ... +85 °C
• when transported	-40 ... +85 °C
ambient temperature	
• during operation	0 ... 70 °C
scanning frequency / max.	2 kHz
cable length / to sequence electronics / max.	25 m
dimension	
• width	76 mm

• depth	77.5 mm
• enclosure outside diameter	50 mm
Length	76 mm
• of the housing	76 mm
weight / approx.	0.4 kg

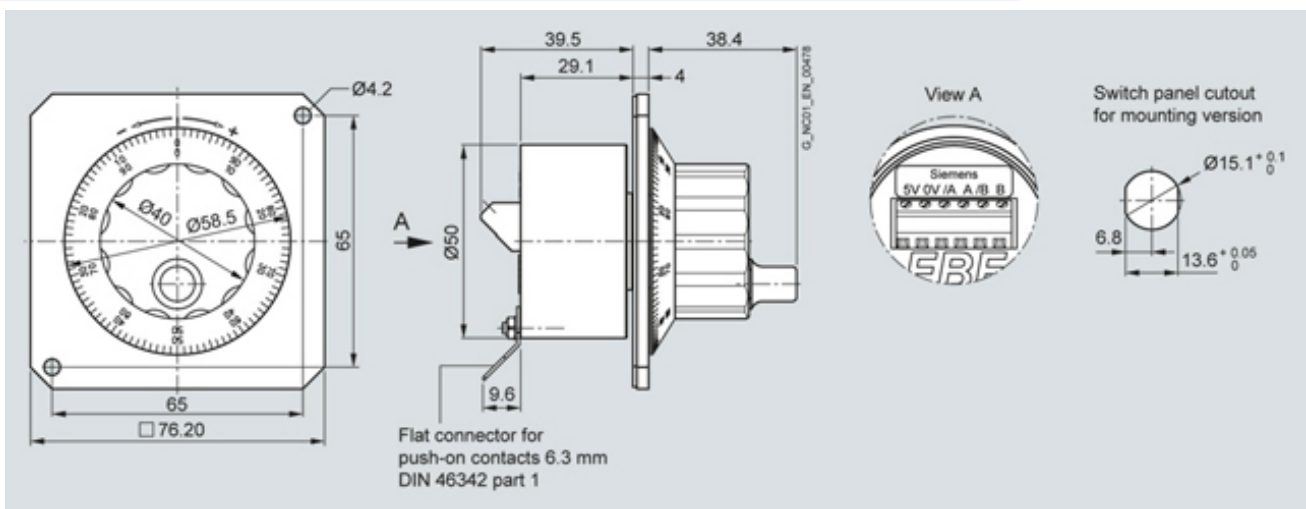
#### Weitere Informationen

[Informations- und Downloadcenter der Industrie Automation und Antriebstechnik](#)

[Technische Dokumentation \(Motion Control\)](#)

[Industry Mall \(Online-Bestellsystem\)](#)

[Service & Support \(FAQs, Handbücher, Betriebsanleitungen, Zertifikate, Kennlinien, ...\)](#)



letzte Änderung:

Mar 3, 2014