



AS-INTERFACE ADDRESSING UNIT V3.0 FOR SETTING ADDRESSES OF AS-I SLAVE MODULES, INPUT/OUTPUT TEST AND OTHER FUNCTIONS. AS-I SPECIFICATION V3.0, M12 CONNECTION SOCKET, WITH ADDRESSING CABLE 1.5 M (M12 CONNECTOR / HOLLOW PLUG). WITH BATTERIES (4 X 1.5 V LR6). ADDRESSING OF APPLICATION MODULES VIA 3RK1 901-1MA00

General technical data		
Design of the product		AS-Interface addressing unit
Power supply		is provided by 4 batteries according to IEC LR6 (NEDA 15), which guarantee that the unit can perform at least 2500 device addressings. For a longer battery life the unit is switched off automatically approx. 1 minute after the last operation
rated operational current I_e	mA	150
Other information		storage temperature without batteries
Ambient conditions		
environmental conditions Relative humidity		max. 75 %, condensation not permitted
Ambient temperature		
• during operation	°C	0 ... 55
• during storage	°C	-20 ... +55
degree of protection		
• device		IP50
• connection socket		IP20
Conditions of application		only in indoor rooms

Mechanical data

Width	mm	84
Height	mm	195
Depth	mm	35
connection		via M12 socket: Pin1=AS-i+; Pin3=AS-i-

Certificates/approvals

General Product Approval	Declaration of Conformity	Shipping Approval	other
--------------------------	---------------------------	-------------------	-------



[Environmental Confirmations](#)

other

[Confirmation](#)

Further information

Information- and Downloadcenter (Catalogs, Brochures,...)

<http://www.siemens.com/industrial-controls/catalogs>

Industry Mall (Online ordering system)

<https://mall.industry.siemens.com/mall/en/en/Catalog/product?mlfb=3RK1904-2AB02>

Cax online generator

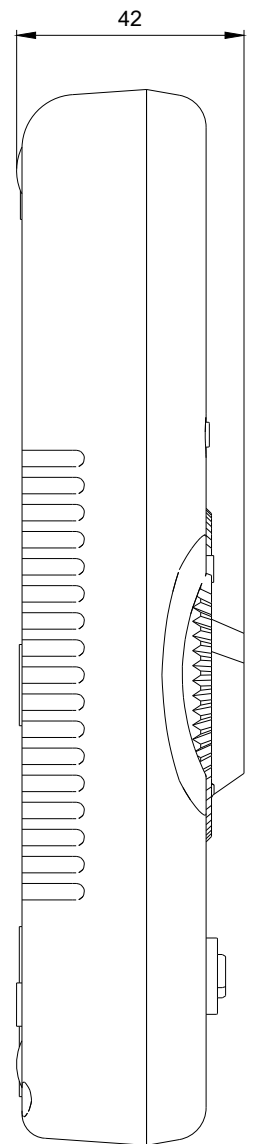
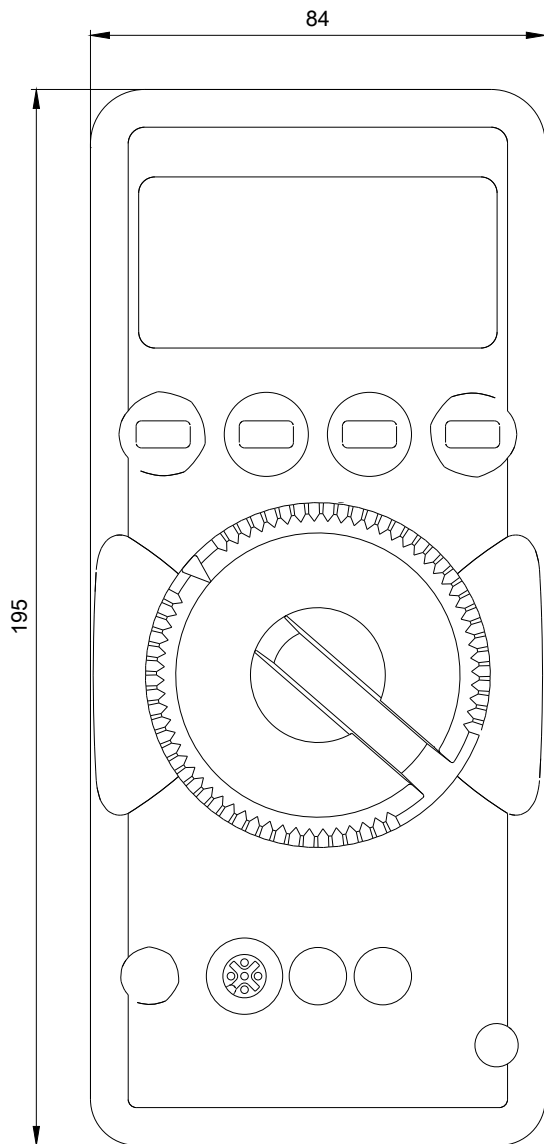
<http://support.automation.siemens.com/WW/CAXorder/default.aspx?lang=en&mlfb=3RK1904-2AB02>

Service&Support (Manuals, Certificates, Characteristics, FAQs,...)

<https://support.industry.siemens.com/cs/ww/en/ps/3RK1904-2AB02>

Image database (product images, 2D dimension drawings, 3D models, device circuit diagrams, EPLAN macros, ...)

http://www.automation.siemens.com/bilddb/cax_de.aspx?mlfb=3RK1904-2AB02&lang=en



last modified:

08/02/2017