

CIRCUIT-BREAKER SIZE S0, RATED CUR. 3.2 A, N TRIP. 42 A, STARTER PREDECTION, 100 KA, SCREW CONNECTION, RATED CURRENT 3.2 A WITHOUT A / N = 13XIN / OHNE BIMETAL (RED. HEATING POWER)



Figure similar

Product brand name	SIRIUS
Product designation	circuit breaker
Design of the product	for starter combinations

### General technical data

Product extension	
<ul style="list-style-type: none"> <li>Auxiliary switch</li> </ul>	Yes
Power loss [W] total typical	3 W
Surge voltage resistance rated value	6 000 V
Protection class IP	
<ul style="list-style-type: none"> <li>on the front</li> </ul>	IP20
Mechanical service life (switching cycles)	
<ul style="list-style-type: none"> <li>of the main contacts typical</li> </ul>	100 000
Continuous current rated value	3.2 A

### Ambient conditions

Ambient temperature	
<ul style="list-style-type: none"> <li>during operation</li> </ul>	-20 ... +60 °C
<ul style="list-style-type: none"> <li>during storage</li> </ul>	-50 ... +80 °C

- during transport

-50 ... +80 °C

### Main circuit

<b>Number of poles for main current circuit</b>	3
<b>Operating voltage</b>	
• rated value	690 V
• at AC-3 rated value maximum	690 V
<b>Operating current</b>	
• at AC-3	
— at 400 V rated value	3.2 A
<b>Operating power</b>	
• at AC-3	
— at 400 V rated value	1.1 kW
<b>Operating frequency</b>	
• at AC-3 maximum	15 1/h

### Auxiliary circuit

<b>Number of CO contacts</b>	
• for auxiliary contacts	0

### Protective and monitoring functions

<b>Product function</b>	
• Ground fault detection	No
• Phase failure detection	No
<b>Maximum short-circuit current breaking capacity (Icu)</b>	
• at AC at 240 V rated value	50 kA
• at AC at 400 V rated value	50 kA
• at AC at 500 V rated value	50 kA
• at AC at 690 V rated value	6 kA

### Short-circuit protection

<b>Design of the overcurrent release and short-circuit release</b>	magnetic
--	----------

### Installation/ mounting/ dimensions

<b>Mounting position</b>	any
<b>Mounting type</b>	screw and snap-on mounting onto 35 mm standard mounting rail according to DIN EN 50022
<b>Height</b>	97 mm
<b>Width</b>	45 mm
<b>Depth</b>	96 mm
<b>Required spacing</b>	
• with side-by-side mounting	
— Backwards	0 mm
— at the side	0 mm

## Connections/Terminals

<b>Product function</b> <ul style="list-style-type: none"> <li>removable terminal for auxiliary and control circuit</li> </ul>	No
<b>Type of electrical connection</b> <ul style="list-style-type: none"> <li>for main current circuit</li> <li>for auxiliary and control current circuit</li> </ul>	screw-type terminals screw-type terminals
<b>Arrangement of electrical connectors for main current circuit</b>	front side
<b>Type of connectable conductor cross-sections</b> <ul style="list-style-type: none"> <li>for main contacts                             <ul style="list-style-type: none"> <li>— solid</li> <li>— stranded</li> <li>— finely stranded with core end processing</li> </ul> </li> <li>at AWG conductors for main contacts</li> </ul>	2x (1 ... 2.5 mm <sup>2</sup> ), 2x (2.5 ... 6 mm <sup>2</sup> ) 2x (1 ... 2.5 mm <sup>2</sup> ), 2x (2.5 ... 6 mm <sup>2</sup> ) 2x (1 ... 2.5 mm <sup>2</sup> ), 2x (2.5 ... 6 mm <sup>2</sup> ) 2x (14 ... 10)

## Certificates/approvals

General Product Approval	Declaration of Conformity	Test Certificates	Marine / Shipping
--------------------------	---------------------------	-------------------	-------------------



[Special Test Certificate](#)



GL

Marine / Shipping	other
-------------------	-------



[Miscellaneous](#)

[Confirmation](#)

[Environmental Confirmations](#)



VDE

## Further information

**Information- and Downloadcenter (Catalogs, Brochures,...)**

<http://www.siemens.com/industrial-controls/catalogs>

**Industry Mall (Online ordering system)**

<https://mall.industry.siemens.com/mall/en/en/Catalog/product?mlfb=3RV1321-1DH10>

**Cax online generator**

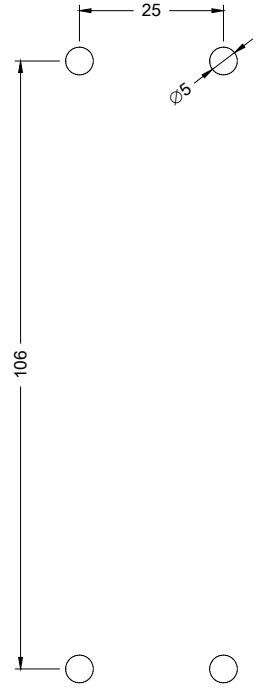
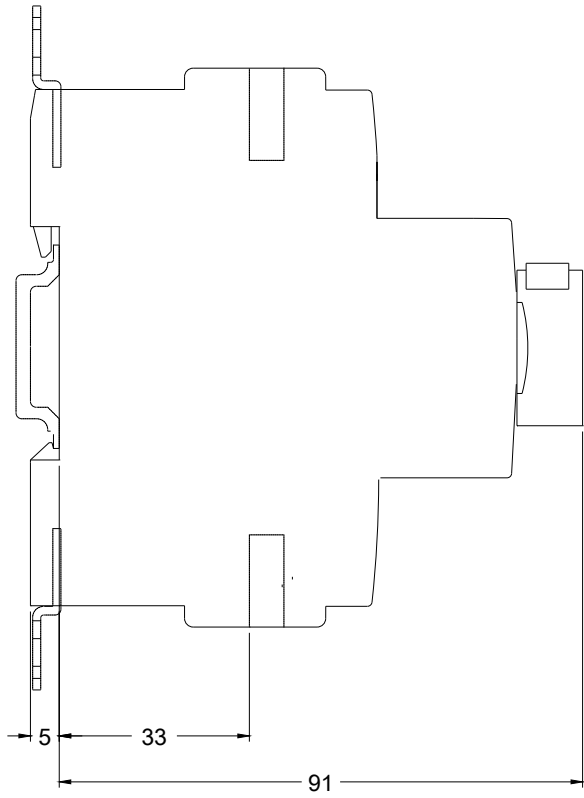
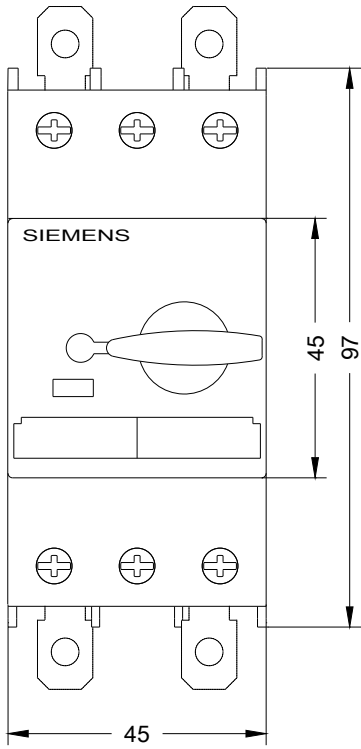
<http://support.automation.siemens.com/WW/CAXorder/default.aspx?lang=en&mlfb=3RV1321-1DH10>

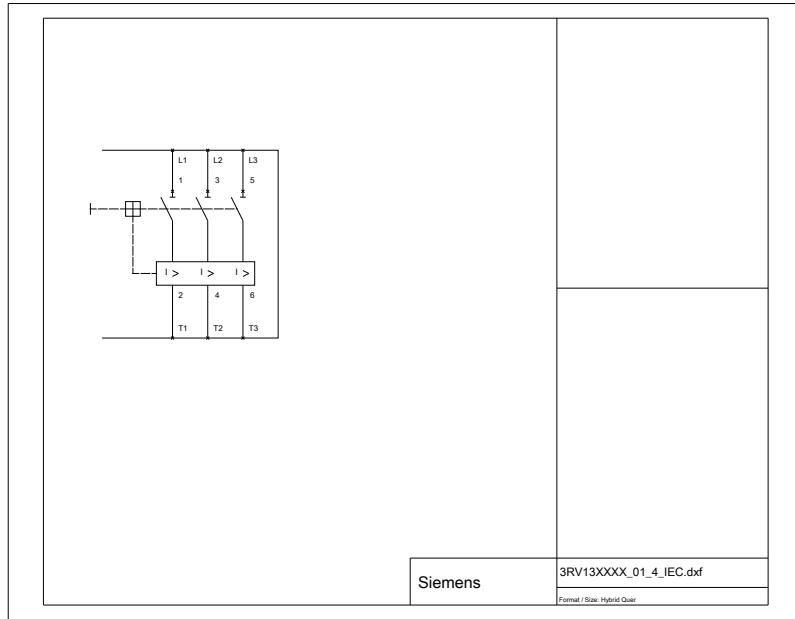
**Service&Support (Manuals, Certificates, Characteristics, FAQs,...)**

<https://support.industry.siemens.com/cs/ww/en/ps/3RV1321-1DH10>

**Image database (product images, 2D dimension drawings, 3D models, device circuit diagrams, EPLAN macros, ...)**

[http://www.automation.siemens.com/bilddb/cax\\_de.aspx?mlfb=3RV1321-1DH10&lang=en](http://www.automation.siemens.com/bilddb/cax_de.aspx?mlfb=3RV1321-1DH10&lang=en)





last modified:

08/07/2017