

Twist lever operating mechanism (please order lever separately) for position switch 3SE51/3SF11, for 40/56/56XL mm, switching points acc. to EN 50041. The switching direction of the levers can be set to left/right or left only or right only. Delivery cond. is right/left.



Product designation	Part-turn actuator for position switch 3SE51/3SF11
Manufacturer's article number	
<ul style="list-style-type: none"> of the supplied actuator head for position switches 	3SE5000-0AH00
General technical data	
Shock resistance	
<ul style="list-style-type: none"> acc. to IEC 60068-2-27 	30 g / 11 ms
Vibration resistance	
<ul style="list-style-type: none"> acc. to IEC 60068-2-6 	0.35 mm/5g
Equipment marking	
<ul style="list-style-type: none"> acc. to DIN EN 61346-2 acc. to DIN EN 81346-2 	T T
Active principle	mechanical
Minimum actuating torque in activation direction	0.25 N·m
Enclosure	
Coating of the enclosure	Other types
Drive Head	
Design of the operating mechanism	Twist actuator, without lever or rod

Standard-compliant actuator head	EN 50041
----------------------------------	----------

Communication/ Protocol

Design of the interface	without
-------------------------	---------

Ambient conditions

Ambient temperature	
• during operation	-25 ... +85 °C
• during storage	-40 ... +90 °C

Installation/ mounting/ dimensions

Mounting position	any
Mounting type	lockable plug-in fixing

Certificates/approvals

General Product Approval	Declaration of Conformity	Test Certificates	other		
 CSA	 UR		 EG-Konf.	Special Test Certificate	Confirmation

Further information

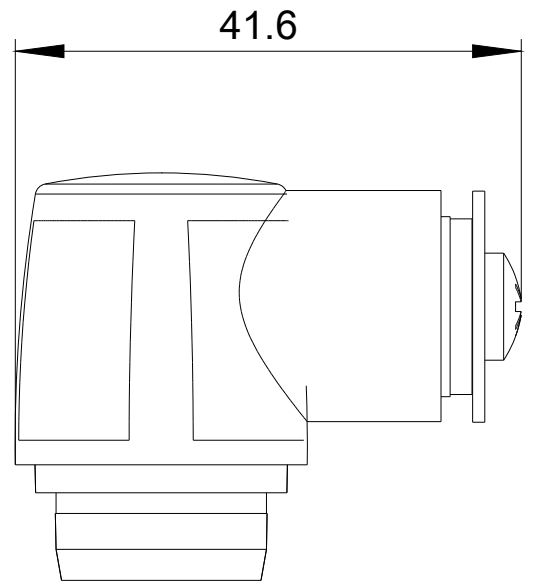
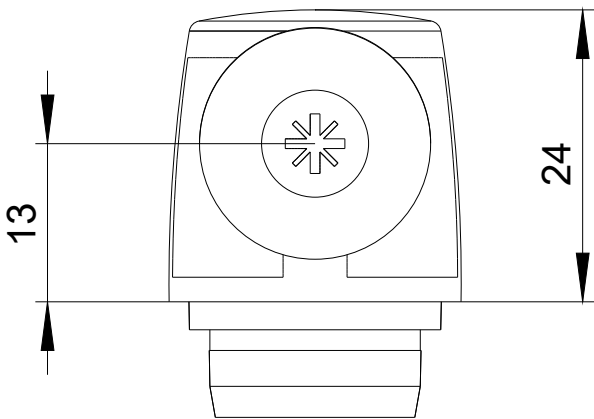
Information- and Downloadcenter (Catalogs, Brochures,...)
<http://www.siemens.com/industrial-controls/catalogs>

Industry Mall (Online ordering system)
<https://mall.industry.siemens.com/mall/en/en/Catalog/product?mlfb=3SE5000-0AH00>

Cax online generator
<http://support.automation.siemens.com/WW/CAXorder/default.aspx?lang=en&mlfb=3SE5000-0AH00>

Service&Support (Manuals, Certificates, Characteristics, FAQs,...)
<https://support.industry.siemens.com/cs/ww/en/ps/3SE5000-0AH00>

Image database (product images, 2D dimension drawings, 3D models, device circuit diagrams, EPLAN macros, ...)
http://www.automation.siemens.com/bilddb/cax_de.aspx?mlfb=3SE5000-0AH00&lang=en



last modified:

07/10/2017