

22MM PLASTIC ROUND COMPLETE UNIT COMBINATION:
INDICATOR LIGHT WITH SMOOTH LENSE ILLUMINATED WITH
LAMP HOLDER BA 9S WITH LAMP 24V AC/DC SCREW
TERMINAL OPERATIONAL VOLTAGE 24V UC WITH HOLDER
GREEN

Design of the product	Complete unit round
Enclosure	
Shape of the enclosure front	round
Material of the enclosure	plastic
Number of command points	0
Actuator	
Design of the operating mechanism	indicator light
Product extension optional Light source	Yes
Color	
• of the actuating element	Green
Material of the actuating element	plastic
Shape of the actuating element	Smooth lens
Number of switching positions	0
Front ring	
Product component front ring	No
Holder	
Material of the holder	Plastic
Contact block/ lampholder	
Mounting type	BA 9s with lamp
Number of lampholders	1
Number of switching elements	0
General technical data	
Product function	
• positive opening	No
• EMERGENCY STOP function	No
Product component	
• Light source	Yes
Protection class IP	IP66
Vibration resistance	
• acc. to IEC 60068-2-6	20 ... 200 Hz: 5g
Equipment marking	

- acc. to DIN 40719 extended according to IEC 204-2 acc. to IEC 750
- acc. to DIN EN 61346-2
- acc. to DIN EN 81346-2

H
P
P

Supply voltage

Type of voltage of the supply voltage	
• of the light source	AC/DC
Supply voltage 1 of the light source at AC	
• at 50 Hz rated value	24 V
• at 60 Hz rated value	24 V
Supply voltage 1 of the light source at DC	
• rated value	24 V
Relative negative tolerance of the supply voltage	-15 %
Relative positive tolerance of the supply voltage	10 %

Auxiliary circuit

Number of NC contacts	
• for auxiliary contacts	0
Number of NO contacts	
• for auxiliary contacts	0
Number of CO contacts	
• for auxiliary contacts	0
Consumed current for rated value of supply voltage maximum	80 mA

Connections/Terminals

Type of electrical connection	screw-type terminals
Tightening torque of the screws in the bracket	1 ... 1.2 N·m

Ambient conditions

Ambient temperature	
• during operation	-25 ... +60 °C
• during storage	-40 ... +80 °C
Environmental category during operation acc. to IEC 60721	3K6

Installation/ mounting/ dimensions

Mounting type	front mounting
Shape of the installation opening	round
Mounting diameter	22 mm
Mounting height	11 mm
Installation width	28 mm
Installation depth	49 mm

Accessories

Product component holder for 3 switching elements	No
--	----

Certificates/approvals

General Product Approval	Declaration of Conformity	Test Certificates	Marine / Shipping
--------------------------	---------------------------	-------------------	-------------------



[Special Test Certificate](#)



Marine / Shipping	other
-------------------	-------



[Environmental Confirmations](#)

[Miscellaneous](#)

[Confirmation](#)

Further information

Information- and Downloadcenter (Catalogs, Brochures,...)

<http://www.siemens.com/industrial-controls/catalogs>

Industry Mall (Online ordering system)

<https://mall.industry.siemens.com/mall/en/en/Catalog/product?mlfb=3SB3217-6AA40>

Cax online generator

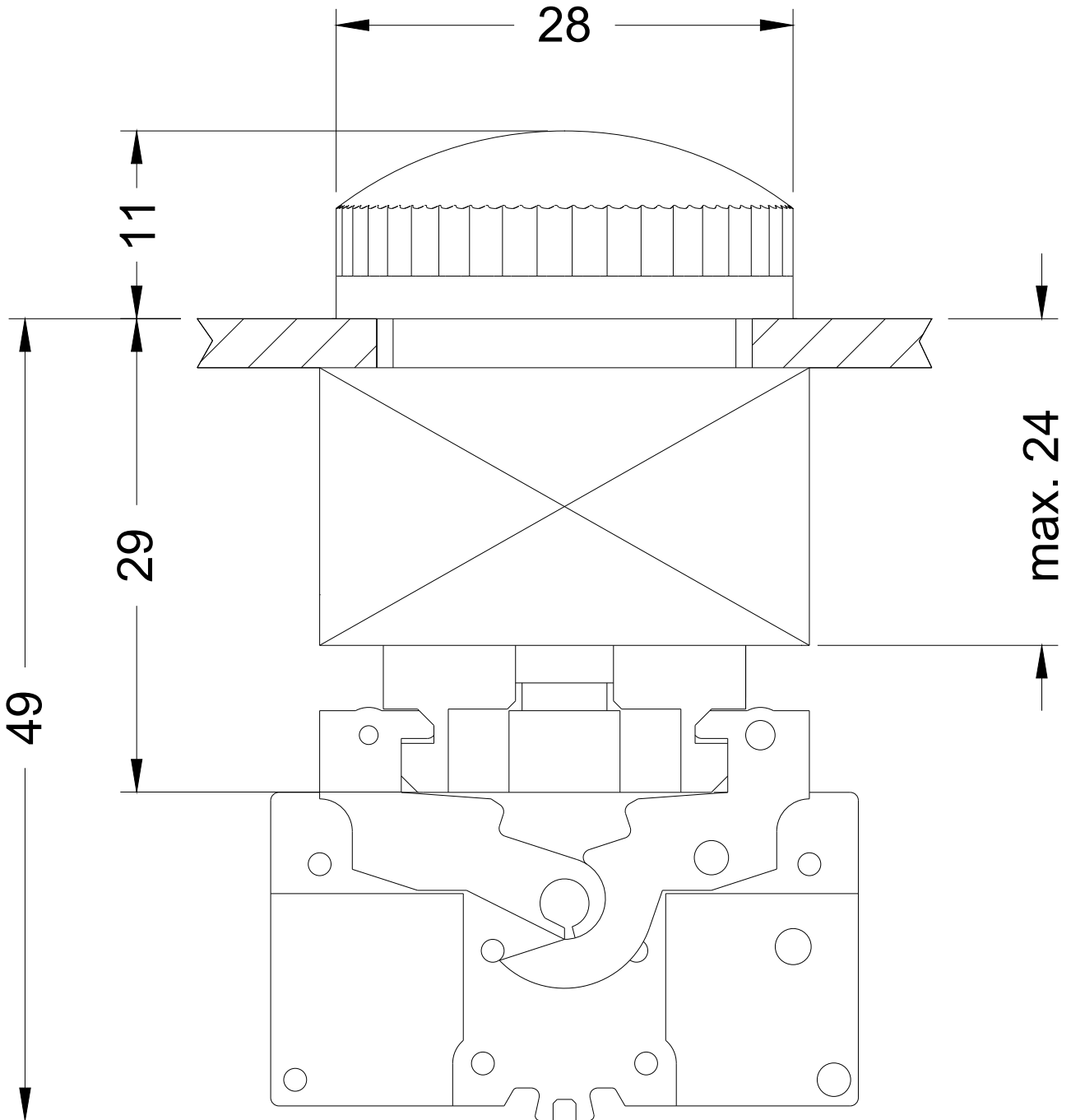
<http://support.automation.siemens.com/WW/CAXorder/default.aspx?lang=en&mlfb=3SB3217-6AA40>

Service&Support (Manuals, Certificates, Characteristics, FAQs,...)

<https://support.industry.siemens.com/cs/ww/en/ps/3SB3217-6AA40>

Image database (product images, 2D dimension drawings, 3D models, device circuit diagrams, EPLAN macros, ...)

http://www.automation.siemens.com/bilddb/cax_de.aspx?mlfb=3SB3217-6AA40&lang=en



last modified:

07/26/2017