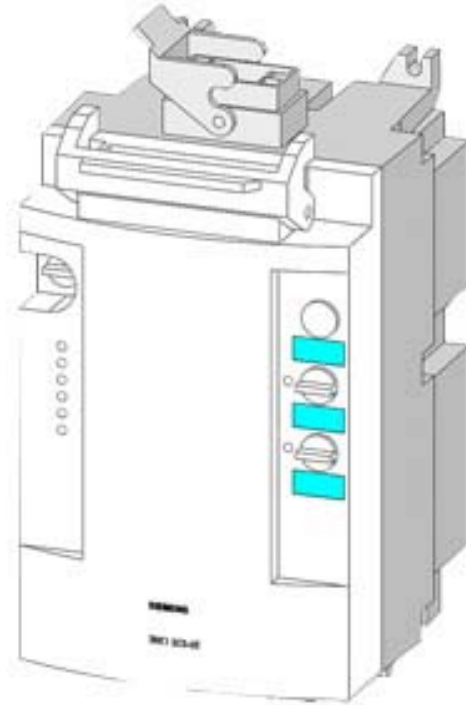


ECOFAST SOFT STARTER R2SS FOR VARIOUS SPEEDS PROFIBUS-DP UP TO 1.5 KW POWER 2 PARAMETRIZABLE SPEED 8 REDUCTION FACTORS



General technical data:

<b>Design of the product</b>		reversing starter
<b>Product function Bus communication</b>		Yes
<b>Protocol is supported</b>		
• PROFIBUS DP protocol		Yes
• AS-interface protocol		No
<b>Product component Motor brake output</b>		Yes
<b>Type of assignment</b>		1
<b>Equipment marking acc. to DIN EN 61346-2</b>		Q
<b>Equipment marking acc. to DIN 40719 extended according to IEC 204-2 acc. to IEC 750</b>		A
<b>Width</b>	mm	130
<b>Height</b>	mm	250
<b>Depth</b>	mm	125

Control circuit/ Control:

<b>Type of voltage</b>		DC
<b>Control supply voltage</b>		
• at DC rated value		
— minimum	V	20.4

— maximum

V	28.8
---	------

**Main circuit:**

Type of the motor protection		full motor protection
Design of the switching contact		solid-state
Design of short-circuit protection		fuse
Operating voltage rated value		
• minimum	V	400
• maximum	V	500
Operating power at AC-3 at 400 V rated value	W	1 500
Operating power for three-phase motors at 400 V at 50 Hz	kW	0.55 ... 1.5
Adjustable pick-up value current of the current-dependent overload release		
• initial value	A	0.6
• Full-scale value	A	4
Maximum short-circuit current breaking capacity (Icu) at 400 V rated value	kA	100




**Connections/ Terminals:**

Type of electrical connection for main current circuit		tab terminals
--	--	---------------

**Ambient conditions:**

Protection class IP		IP65
Ambient temperature during operation	°C	-20 ... +40

**Certificates/ approvals:**

General Product Approval	Declaration of Conformity	Test Certificates	other		
 UL		 EG-Konf.	<a href="#">Type Test Certificates/Test Report</a>	<a href="#">Environmental Confirmations</a>	<a href="#">Confirmation</a>
<b>other</b>					



**Further information**

**Information- and Downloadcenter (Catalogs, Brochures,...)**  
<http://www.siemens.com/industrial-controls/catalogs>

**Industry Mall (Online ordering system)**  
<http://www.siemens.com/industrymall>

**Cax online generator**

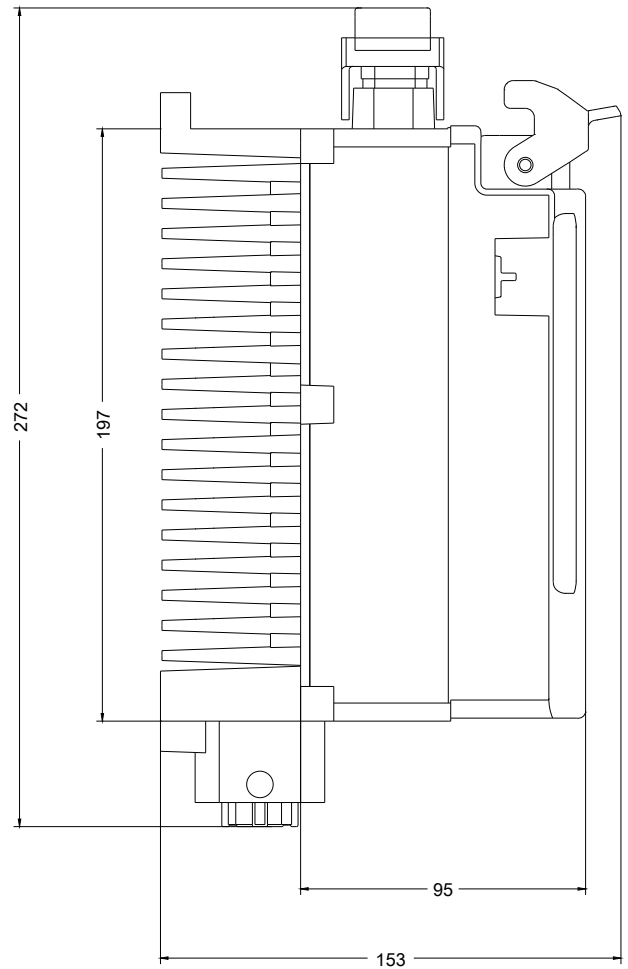
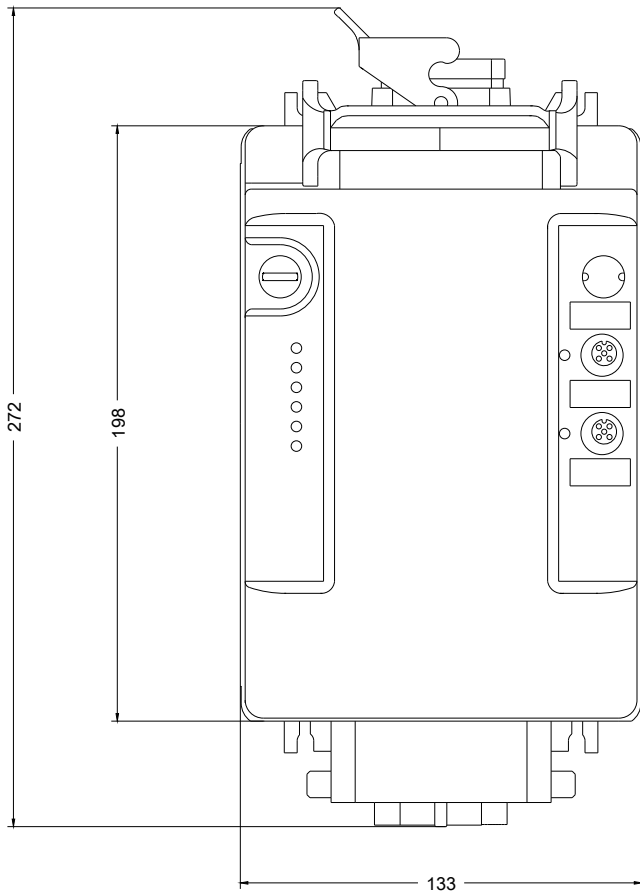
<http://support.automation.siemens.com/WW/CAXorder/default.aspx?lang=en&mlfb=3RK1303-6ES81-3AA3>

**Service&Support (Manuals, Certificates, Characteristics, FAQs,...)**

<https://support.industry.siemens.com/cs/ww/en/ps/3RK1303-6ES81-3AA3>

**Image database (product images, 2D dimension drawings, 3D models, device circuit diagrams, EPLAN macros, ...)**

[http://www.automation.siemens.com/bilddb/cax\\_de.aspx?mlfb=3RK1303-6ES81-3AA3&lang=en](http://www.automation.siemens.com/bilddb/cax_de.aspx?mlfb=3RK1303-6ES81-3AA3&lang=en)



last modified:

07/27/2017