

POSITION SWITCH, METAL-ENCLOSED, SPRING-ACTUATED
LOCK, DC 24V, M20 X 1.5



Figure similar

Product designation	position switch with tumbler
Design of the product	with separate actuator
General technical data	
Protection class IP	IP67
Equipment marking	
• acc. to DIN EN 61346-2	S
• acc. to DIN EN 81346-2	S
Locking force	2 000 N
Enclosure	
Design of the housing	special design
Material of the enclosure	metal
Coating of the enclosure	painted
Design of the housing acc. to standard	No
Drive Head	
Design of the operating mechanism	separate actuator
Design of the switching function	positive opening
Number of actuation directions	4

Connections/Terminals

Type of electrical connection screw-type terminals

Mechanical data

Locking mechanism design spring-actuated lock

Ambient conditions

Ambient temperature
• during operation -30 ... +70 °C

Installation/ mounting/ dimensions

Mounting type screw fixing

Certificates/approvals

General Product Approval

Declaration of Conformity

Shipping Approval



CSA



UL



EG-Konf.



ABS



LRS

Shipping Approval

other



PRS



RINA

[Miscellaneous](#)

[Confirmation](#)

Further information

Information- and Downloadcenter (Catalogs, Brochures,...)

<http://www.siemens.com/industrial-controls/catalogs>

Industry Mall (Online ordering system)

<https://mall.industry.siemens.com/mall/en/en/Catalog/product?mlfb=3SE2840-0XX00>

Cax online generator

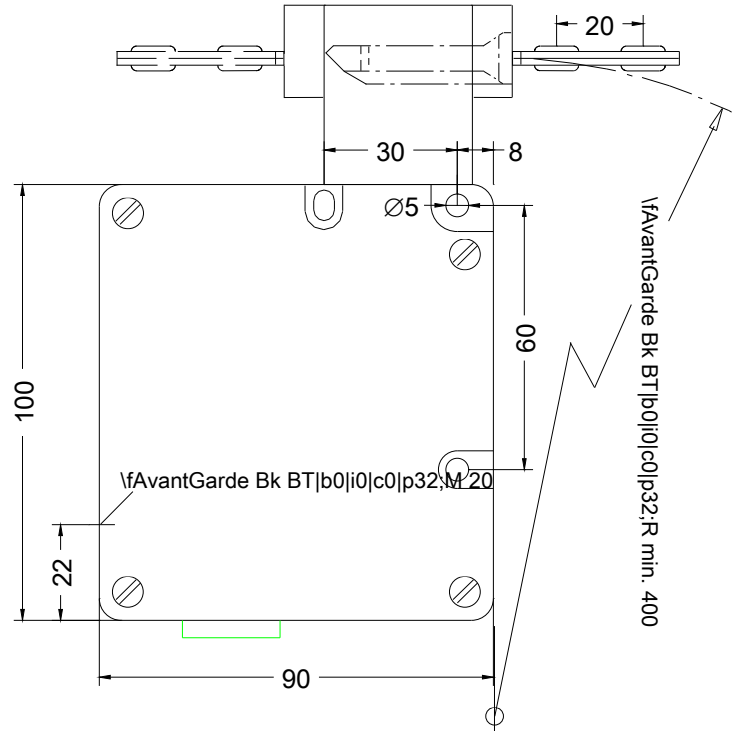
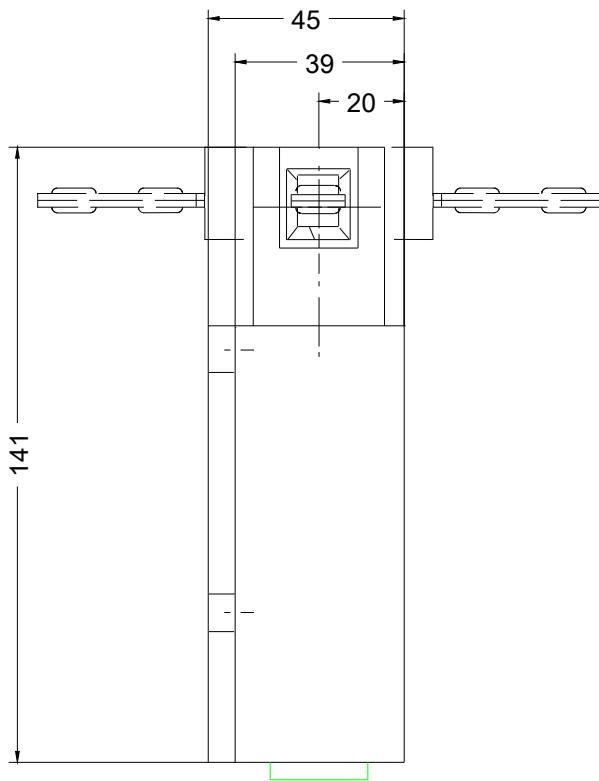
<http://support.automation.siemens.com/WW/CAXorder/default.aspx?lang=en&mlfb=3SE2840-0XX00>

Service&Support (Manuals, Certificates, Characteristics, FAQs,...)

<https://support.industry.siemens.com/cs/ww/en/ps/3SE2840-0XX00>

Image database (product images, 2D dimension drawings, 3D models, device circuit diagrams, EPLAN macros, ...)

http://www.automation.siemens.com/bilddb/cax_de.aspx?mlfb=3SE2840-0XX00&lang=en



last modified:

07/10/2017