



SAFETY POSITION SWITCHES WITH SOLENOID INTERLOCKING
 LOCKING FORCE 1500N, 5 DIRECTIONS OF APPROACH
 PLASTIC ENCLOSURE, M12 CONNECT. ASISAFE INTEGRATED
 CH1=ACTUATOR 1NC, CH2=MAGNET 1NC SPRING-ACTUATED
 LOCK, AUXIL. RELEASE ON FRONT MAGNET VOLTAGE 24 V
 DC/AC, MONITORING ACTUATOR 2NC/1NO, MONITORING
 MAGNET 2NC/1NO, THE MATCHING SEPARATE ACTUATOR
 3SE5000-0AV0. IS TO BE ORDERED SEPARATELY

Product brand name	SIRIUS
Product designation	Mechanical safety switches
Design of the product	with separate actuator and with tumbler
Product type designation	3SF13
Manufacturer's article number	3SE5000-0AV01 standard actuator, 3SE5000-0AV02 actuator with vertical mounting, 3SE5000-0AV03 actuator with transverse mounting, 3SE5000-0AV04 radius actuator left, 3SE5000-0AV05 universal actuator, 3SE5000-0AV06 radius actuator right, 3SE5000-0AV07 heavy duty actuator
<ul style="list-style-type: none"> of the optional actuators 	

General technical data	
Product function	Yes
<ul style="list-style-type: none"> positive opening 	
Insulation voltage	30 V
<ul style="list-style-type: none"> rated value 	
Degree of pollution	class 3
Surge voltage resistance rated value	0.8 kV
Protection class IP	IP66/IP67
Shock resistance	30g / 11 ms
<ul style="list-style-type: none"> acc. to IEC 60068-2-27 	30 g / 11 ms

Vibration resistance	0.35 mm / 5g
<ul style="list-style-type: none"> • acc. to IEC 60068-2-6 	0.35 mm/5g
Mechanical service life (switching cycles)	
<ul style="list-style-type: none"> • typical 	1 000 000
Material of the enclosure of the switch head	plastic
Equipment marking	
<ul style="list-style-type: none"> • acc. to DIN EN 61346-2 	B
<ul style="list-style-type: none"> • acc. to DIN EN 81346-2 	B
Locking force	1 300 N
<ul style="list-style-type: none"> • acc. to DIN EN ISO 14119 	1 000 N
Repeat accuracy	0.1 mm
Minimum actuating force in activation direction	30 N

Enclosure

Design of the housing	special design
Material of the enclosure	plastic
Design of the housing acc. to standard	No

Drive Head

Design of the operating mechanism	5 directions of approach
Design of the switching function	positive opening
Number of actuation directions	5

Connections/Terminals

Type of electrical connection	M12 plug, fixed
--------------------------------------	-----------------

Mechanical data

Design of plug-in connection	M12 plug, 4-pole: Pin 1 = ASI+ , Pin 2 = not assigned, Pin 3= ASI- , Pin 4 = not assigned
Locking mechanism design	spring-actuated lock (closed-circuit principle) with auxiliary release

Communication/ Protocol

Design of the interface	M12 plug, fixed
--------------------------------	-----------------

Ambient conditions

Ambient temperature	
<ul style="list-style-type: none"> • during operation 	-25 ... +60 °C
<ul style="list-style-type: none"> • during storage 	-40 ... +80 °C

Supply voltage

Supply voltage of magnet coil	24 V
--------------------------------------	------

Installation/ mounting/ dimensions

Mounting position	any
Mounting type	screw fixing

Certificates/approvals

General Product Approval	Functional Safety/Safety of Machinery	Declaration of Conformity	Test Certificates
--------------------------	---------------------------------------	---------------------------	-------------------



[Type Examination Certificate](#)



[Special Test Certificate](#)

other

[Confirmation](#)

[Miscellaneous](#)

Further information

Information- and Downloadcenter (Catalogs, Brochures,...)

<http://www.siemens.com/industrial-controls/catalogs>

Industry Mall (Online ordering system)

<https://mall.industry.siemens.com/mall/en/en/Catalog/product?mlfb=3SF1324-1SD21-1BA1>

Cax online generator

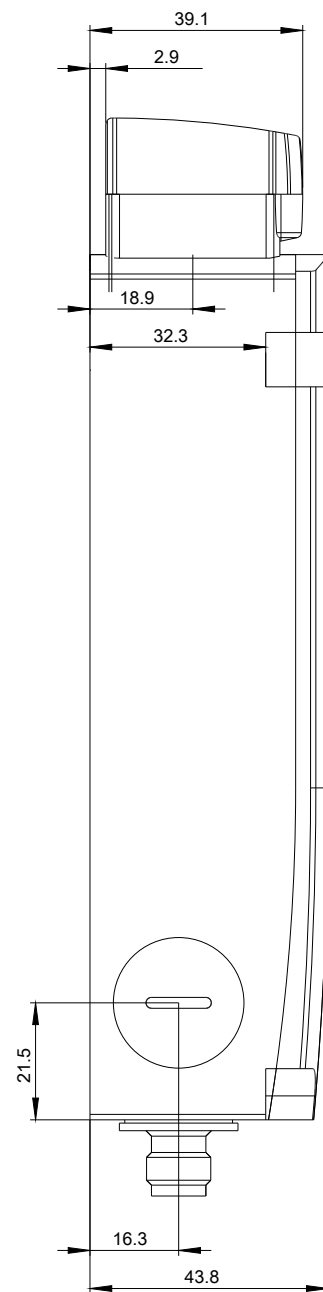
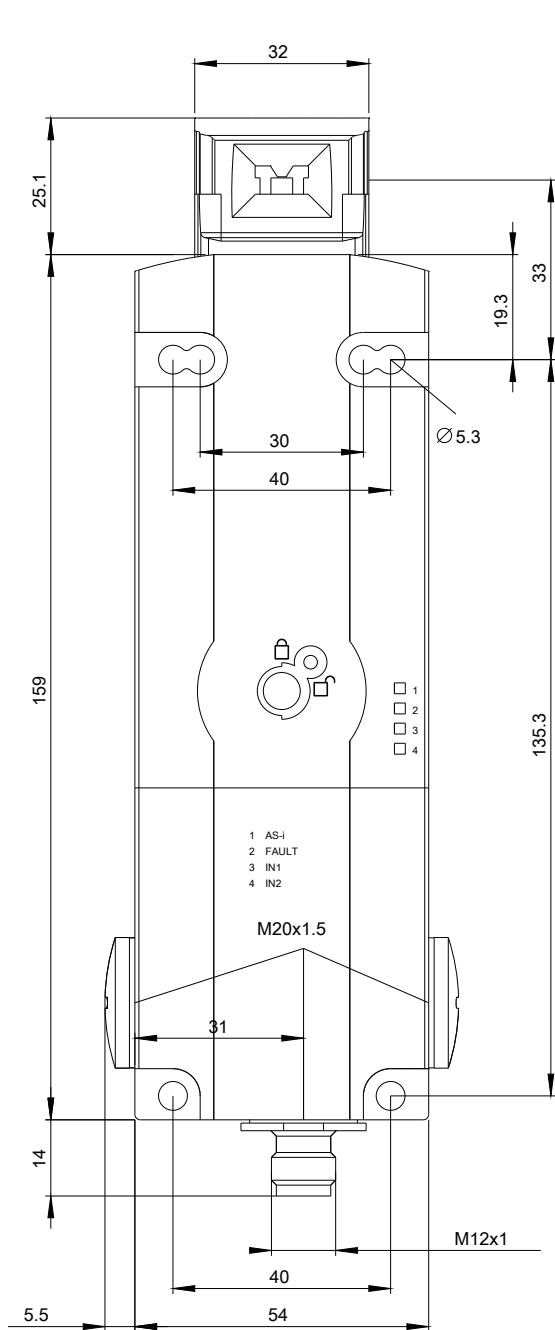
<http://support.automation.siemens.com/WW/CAXorder/default.aspx?lang=en&mlfb=3SF1324-1SD21-1BA1>

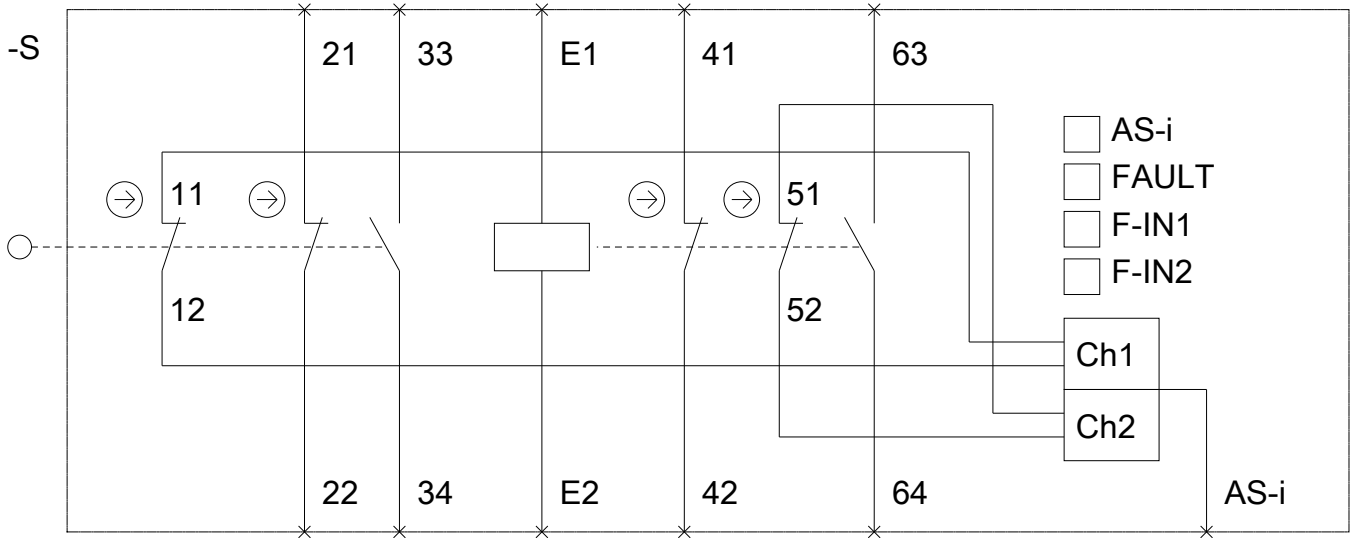
Service&Support (Manuals, Certificates, Characteristics, FAQs,...)

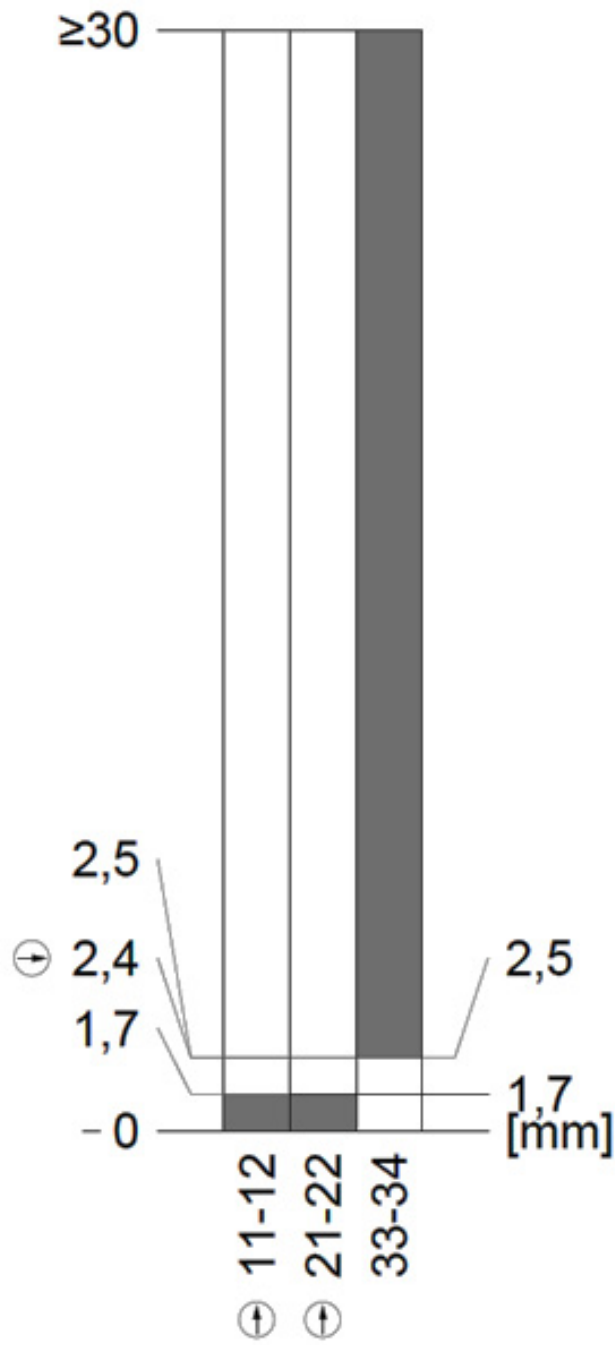
<https://support.industry.siemens.com/cs/ww/en/ps/3SF1324-1SD21-1BA1>

Image database (product images, 2D dimension drawings, 3D models, device circuit diagrams, EPLAN macros, ...)

http://www.automation.siemens.com/bilddb/cax_de.aspx?mlfb=3SF1324-1SD21-1BA1&lang=en







last modified:

08/11/2017